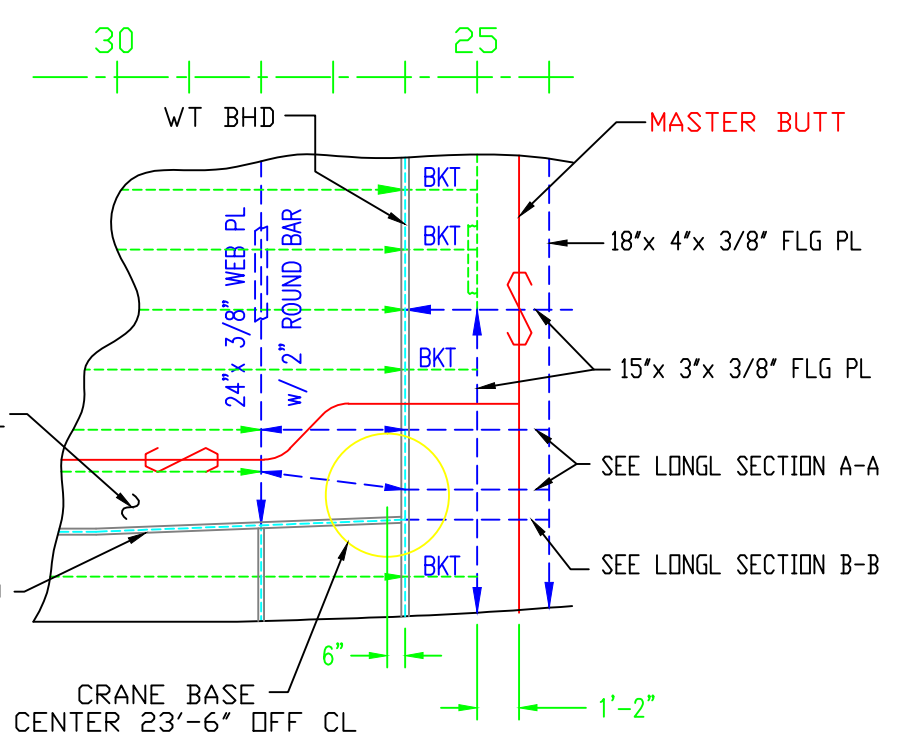
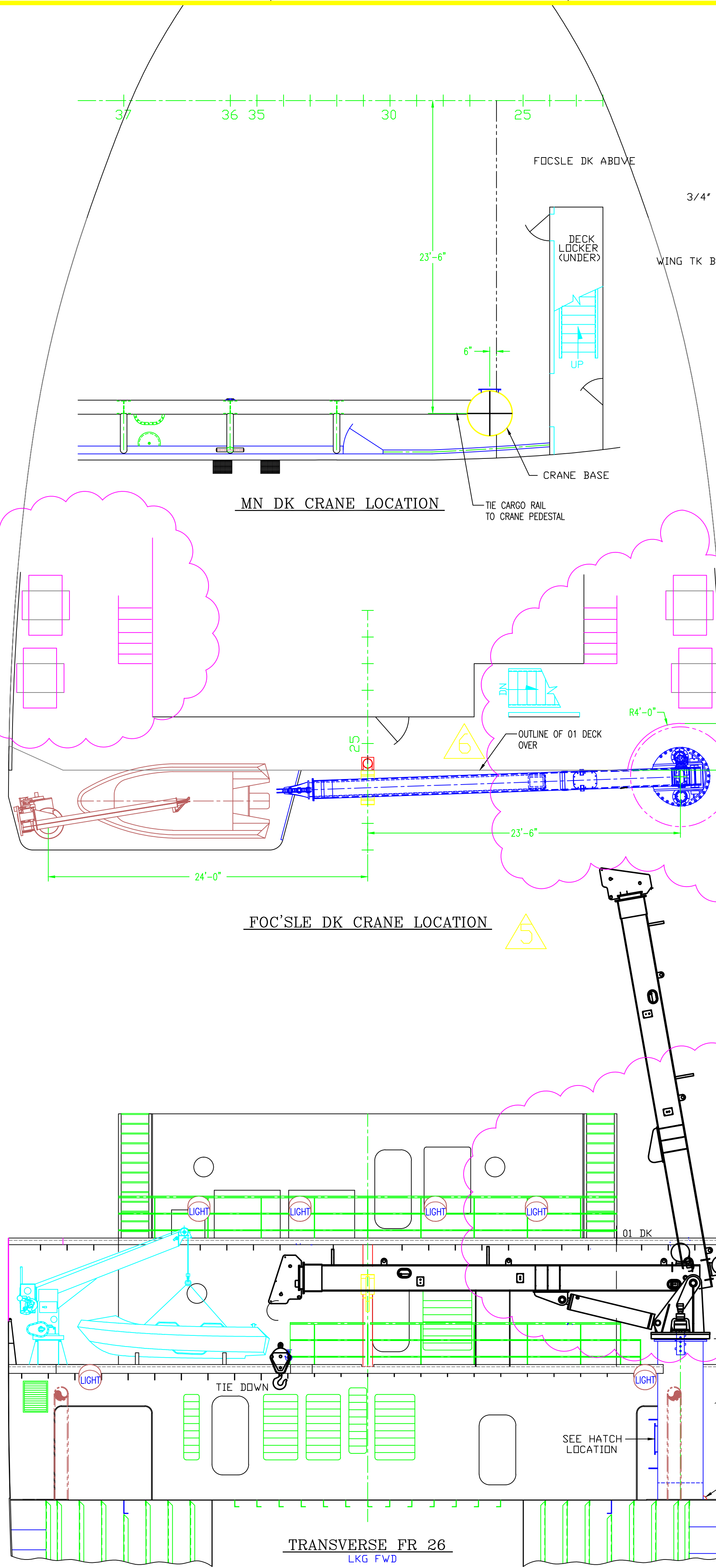
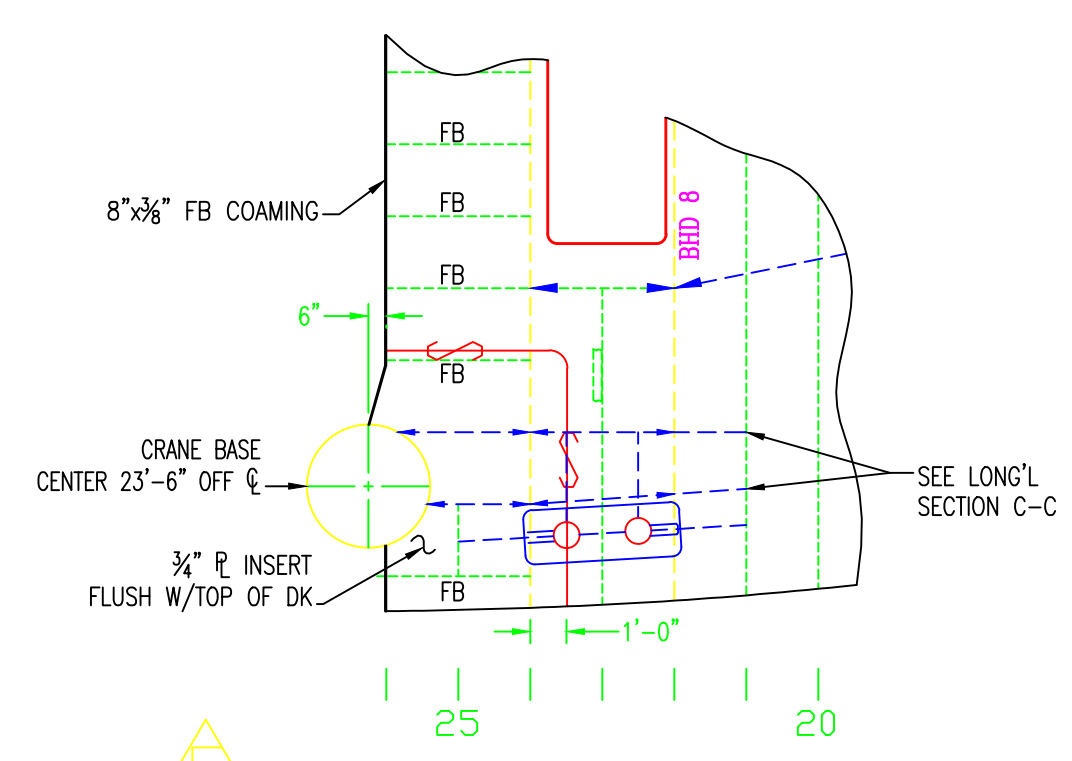


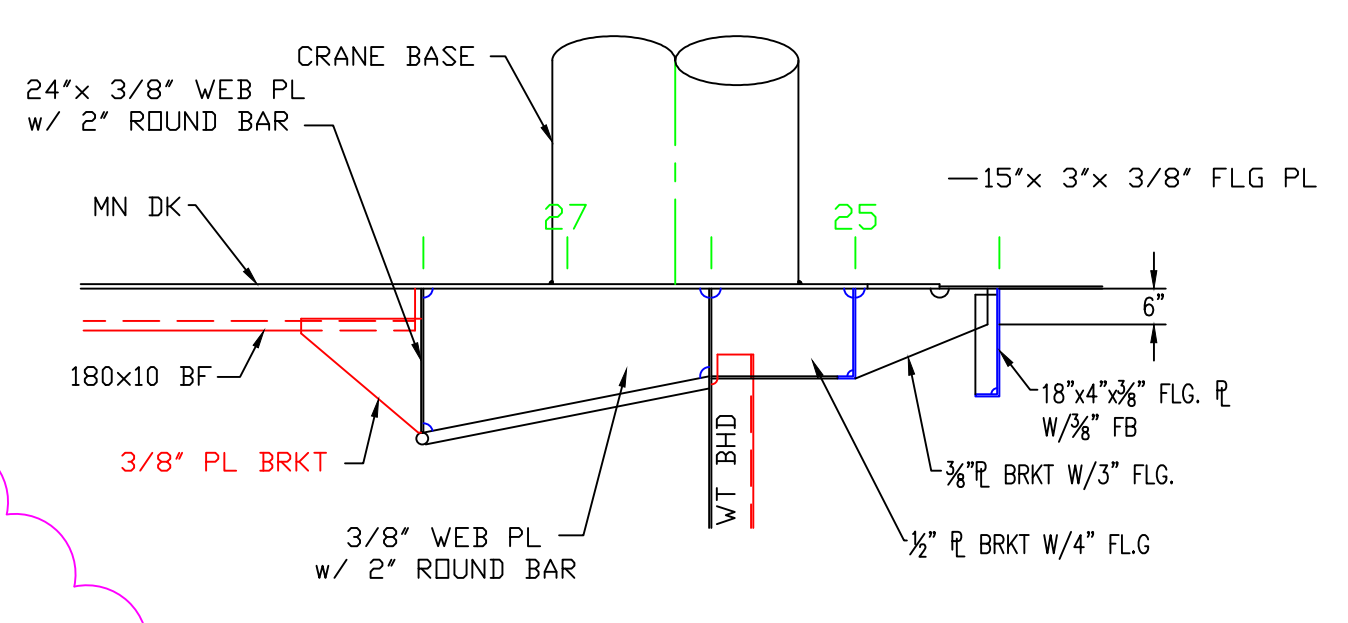
REVISIONS		
REV	DESCRIPTION	DATE
1	ADDED CRANE BOOM REST	01/17/08 T.M. L.S.
2	MODIFIED THE RESCUE BOAT DAVIT LOCATION.	01/25/08 T.M. L.S.
3	MODIFIED CRANE BOOM REST TO SUIT ACTUAL BOOM WIDTH.	01/30/08 A.R.(AMF)
4	LOWERED AFT EDGE OF THE BOOM REST TO ALLOW MOVEMENT OF CRANE ARM	04/15/08 A.R.(AMF)
5	MODIFIED FOC'SLE TO MATCH HOS 250-EDF	09/15/08 A.R.B.(DEC)
6	OUTLINE OF 01 DECK ADDED	01/21/09
7	CORRECTED VIEW OF CRANE/MODIFIED STRUCTURE IN WAY OF TOP OF CRANE.	02/17/09



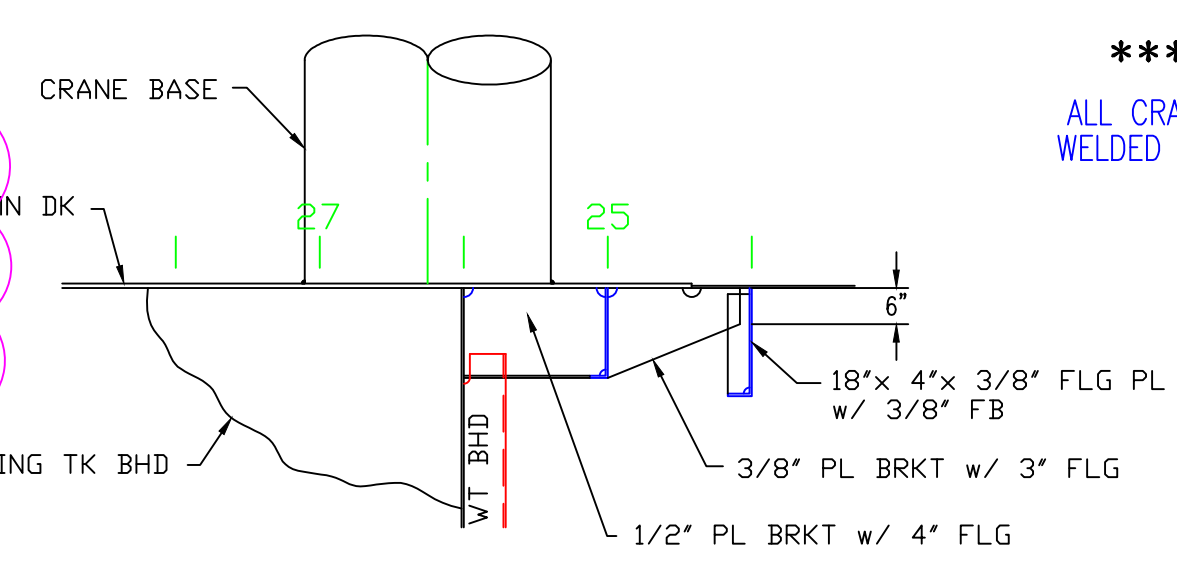
MN DK STRUCTURE
3/16" = 1'-0"



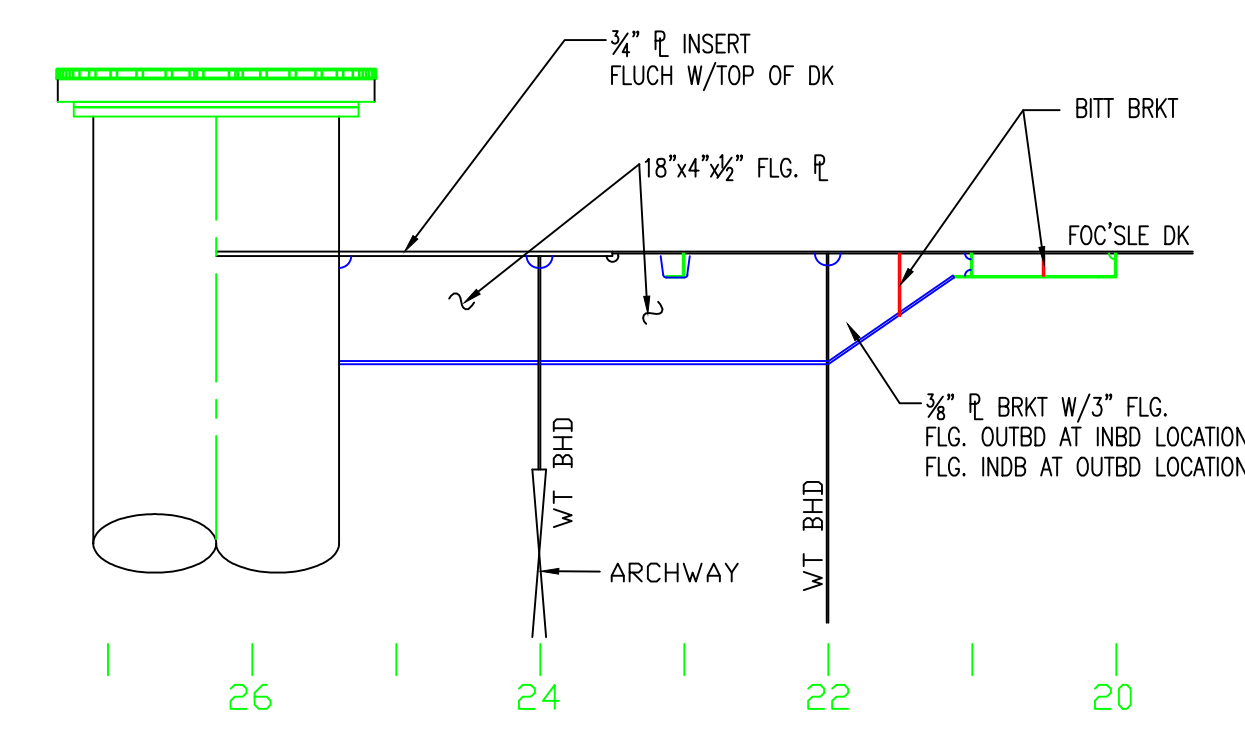
FOC'SLE DK STRUCTURE
3/16" = 1'-0"



LONG'L SECTION A-A
3/8" = 1'-0"

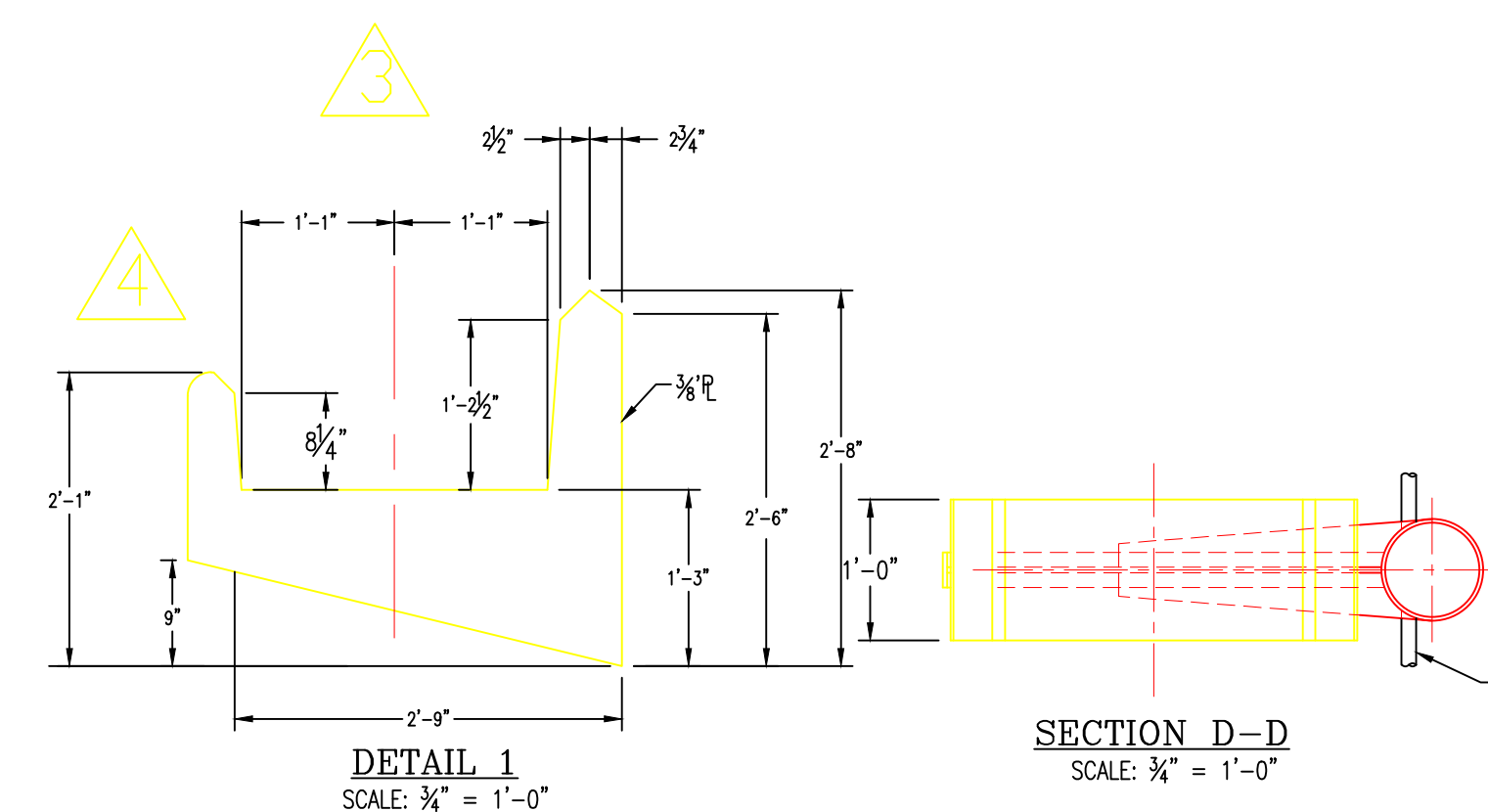


LONG'L SECTION B-B
3/8" = 1'-0"



LONG'L SECTION C-C
3/8" = 1'-0"

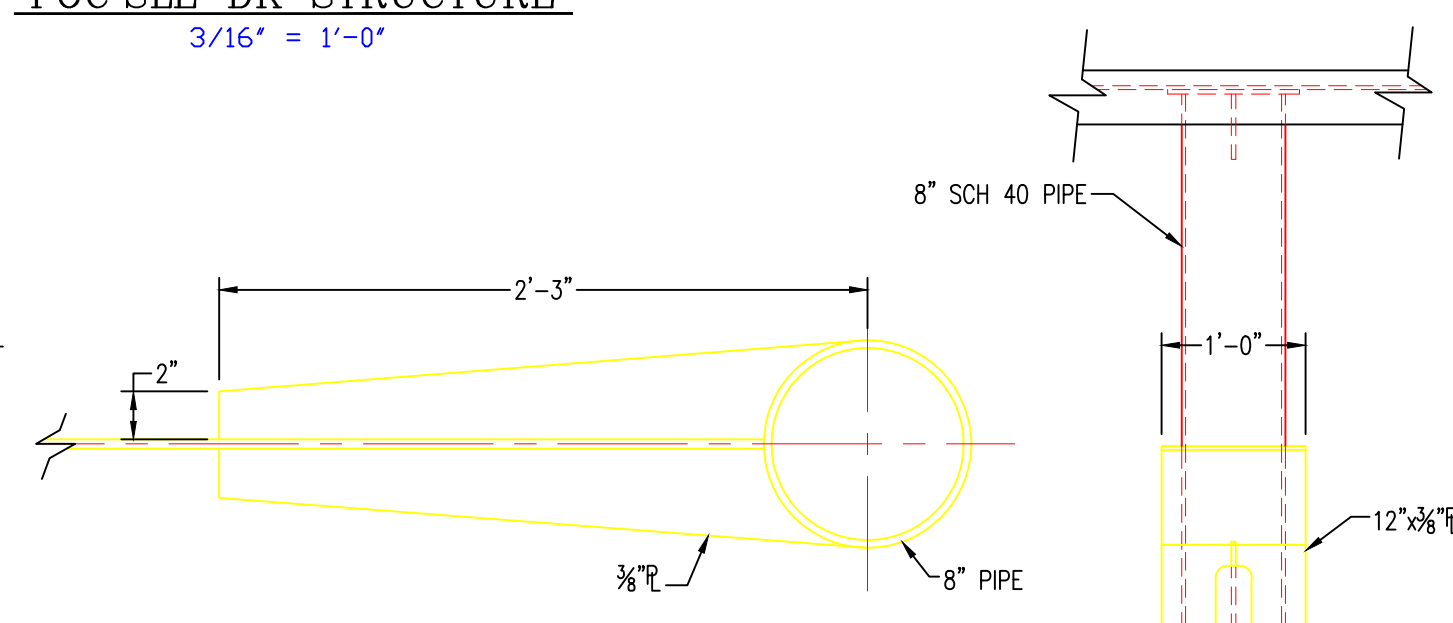
*****NOTE**
ALL CRANE SUPPORTS TO BE WELDED 1/4 DBL CONTINUOUS



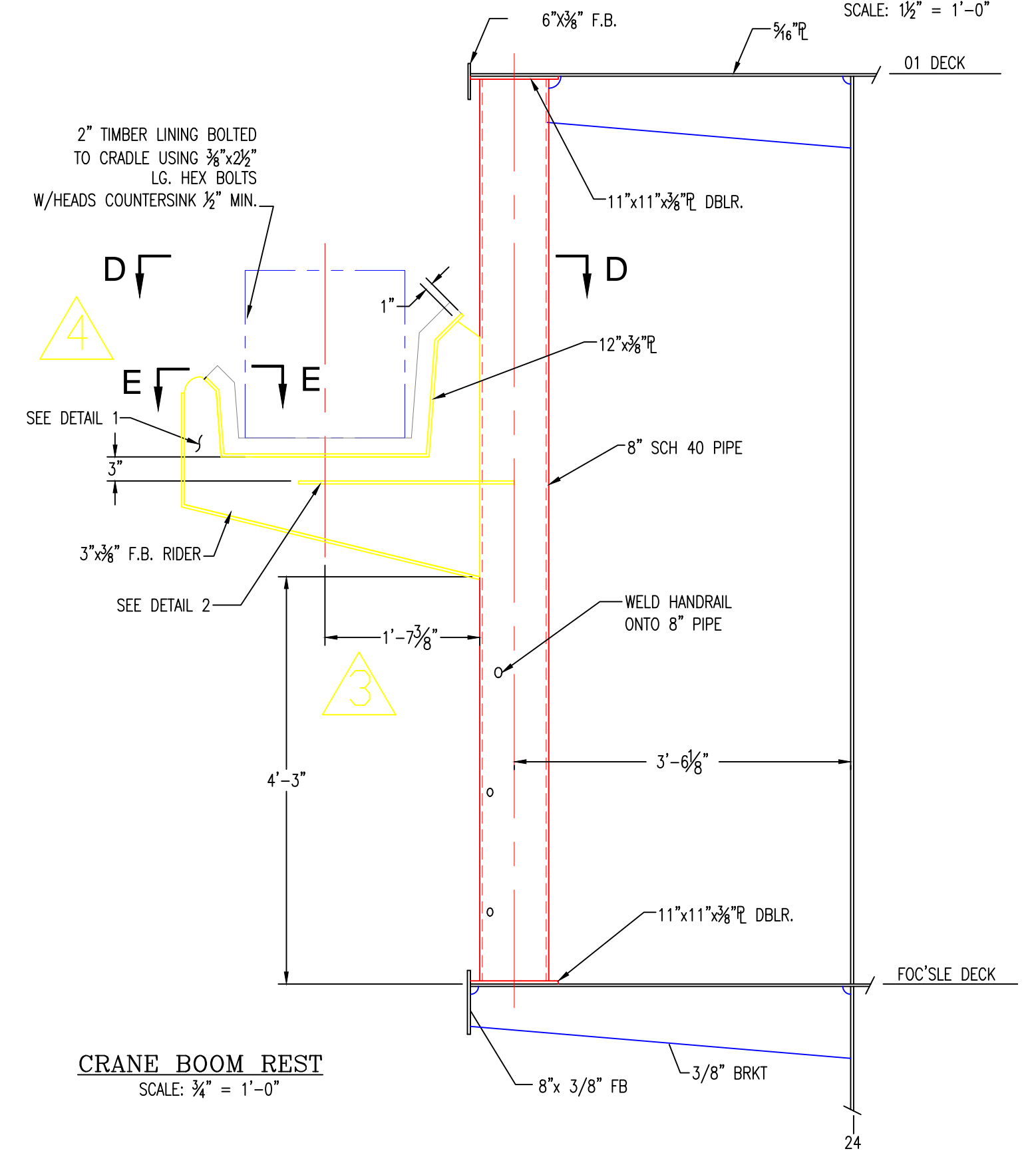
DETAIL 1
SCALE: 3/4" = 1'-0"

SECTION D-D
SCALE: 3/4" = 1'-0"

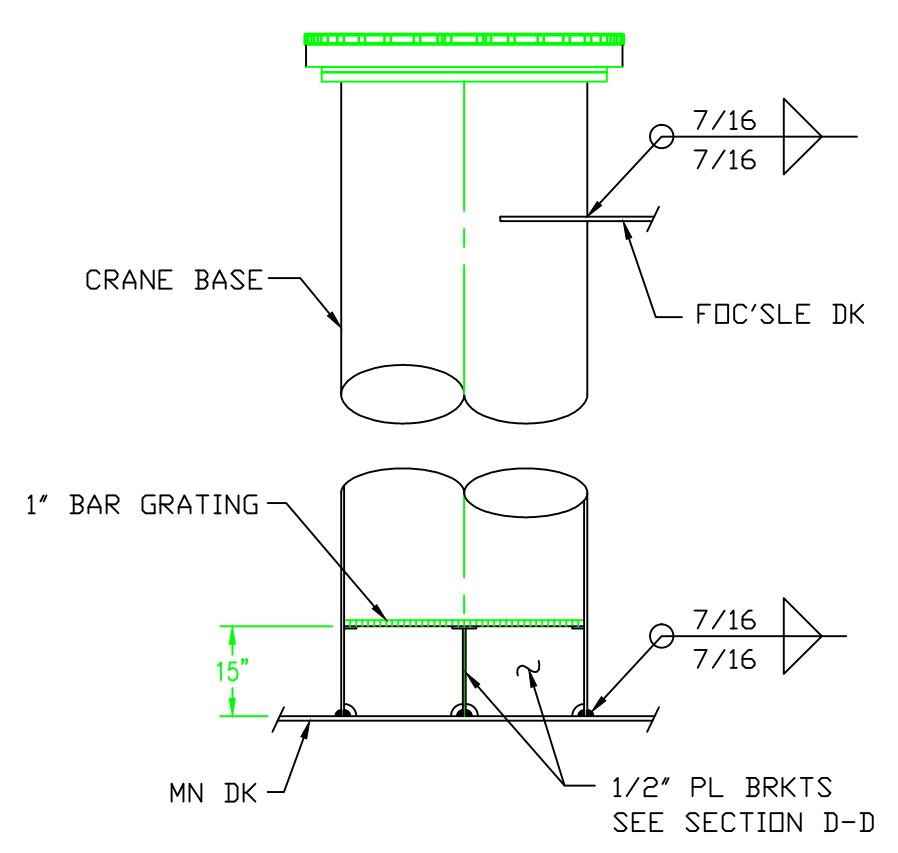
SECTION E-E
SCALE: 1/2" = 1'-0"



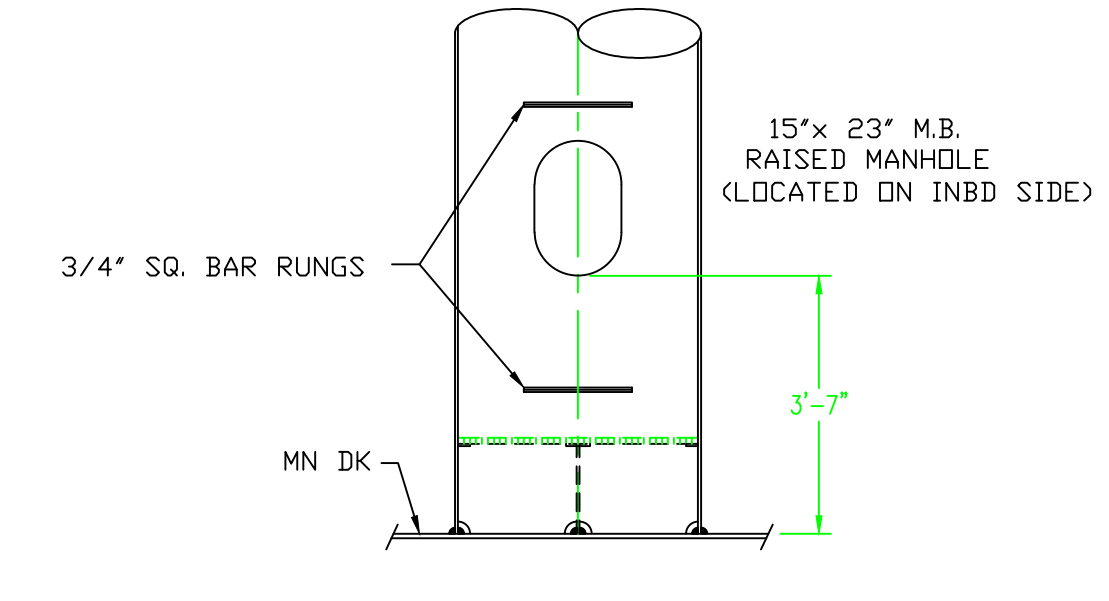
DETAIL 2
SCALE: 1/2" = 1'-0"



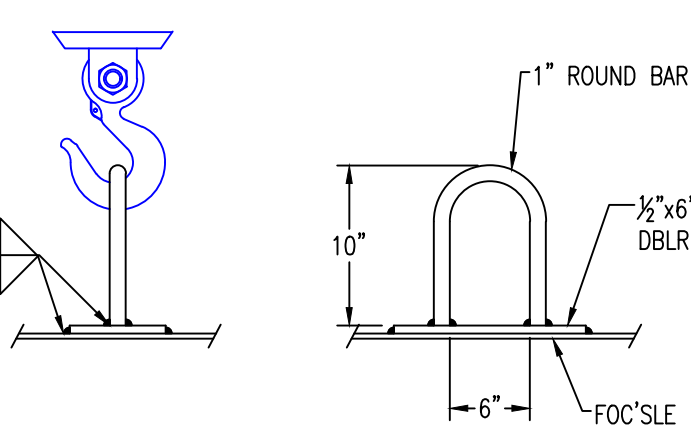
CRANE BOOM REST
SCALE: 3/4" = 1'-0"



CRANE BASE WELDING
3/8" = 1'-0"



CRANE BASE HATCH LOCATION
3/8" = 1'-0"



CRANE HOOK TIE DOWN
NO SCALE

REFERENCES

- OUTBOARD PROFILE & GENERAL ARRANGEMENT DWG. 1.001
- MAIN DECK SCANTLINGS DWG. 2.201.
- MAIN DECK SUPERSTRUCTURE DWG. 2.601
- RESCUE BOAT DAVIT FOUNDATION DETAILS DWG. 3.503
- HYDRA-PRO, INC. CRANE DWG. MB-05757

GENERAL NOTES:

- ALL WELDING TO BE AS PER ABS RULES AND TO DEVELOP FULL STRENGTH OF STRUCTURAL MATERIAL, TO SURVEYORS SATISFACTION.
- ALL MATERIALS TO BE MILD STEEL ABS, GRADE A WITH A MINIMUM YIELD STRESS OF 34 KIPS PER SQUARE INCH EXCEPT FOR SHEER STRAKE IN MIDBODY, TO SURVEYORS SATISFACTION.
- FIT-UP AND WELD TO THE SATISFACTION OF THE ATTENDING SURVEYOR.
- ALL NEW STRUCTURE TO BE PREPARED AND COATED ACCORDING TO SPECIFICATIONS, SECTION 13.
- SHIPS STRUCTURAL SUPPORT DESIGNED FOR CRANE OVERTURNING MOMENT OF 450,000 LB/FT AND AXIAL FORCE OF 57,000 LBS.

SECTION D-D
3/8" = 1'-0"

HOS 240-EDQ

ATLANTIC MARINE FLORIDA, LLC
JACKSONVILLE, FL

HULLS 4251-4252	AMI JOB 94251
AMI CHK	APPRV FOR RELEASE
AMI DWG 94251-C03-502	REV B
SHEET 1 OF 1	

HORNBECK OFFSHORE SERVICES

DRAWN BY: JONATHAN LEJEUNE
CH'KD. BY: MIKE JANNISE
APP'D. BY:

DATE: 09-11-2008
AMF HULLS 4251-4252

SCALE: 3/16" = 1'-0"
DRAWING # 3.502

REV. 7
SHEET 1 OF 1