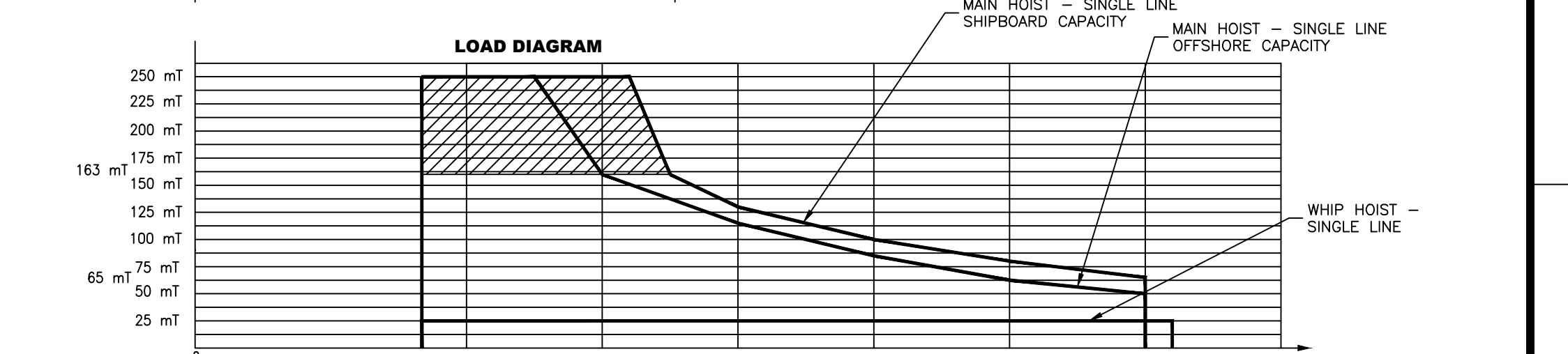
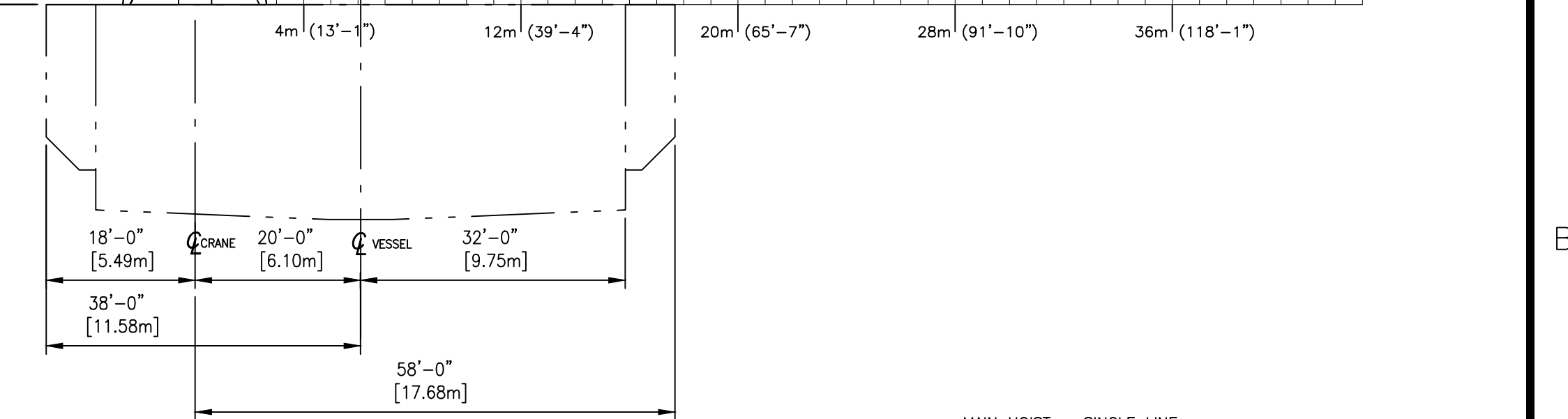
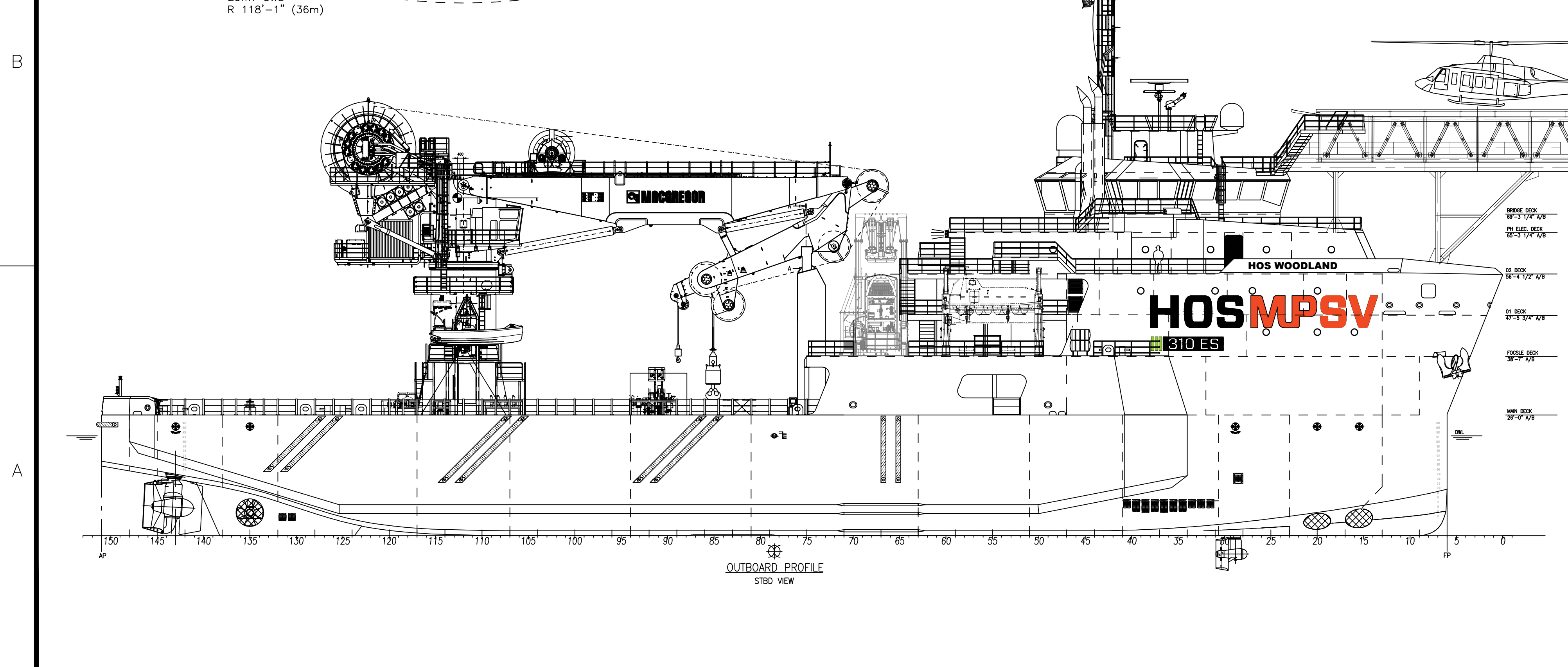
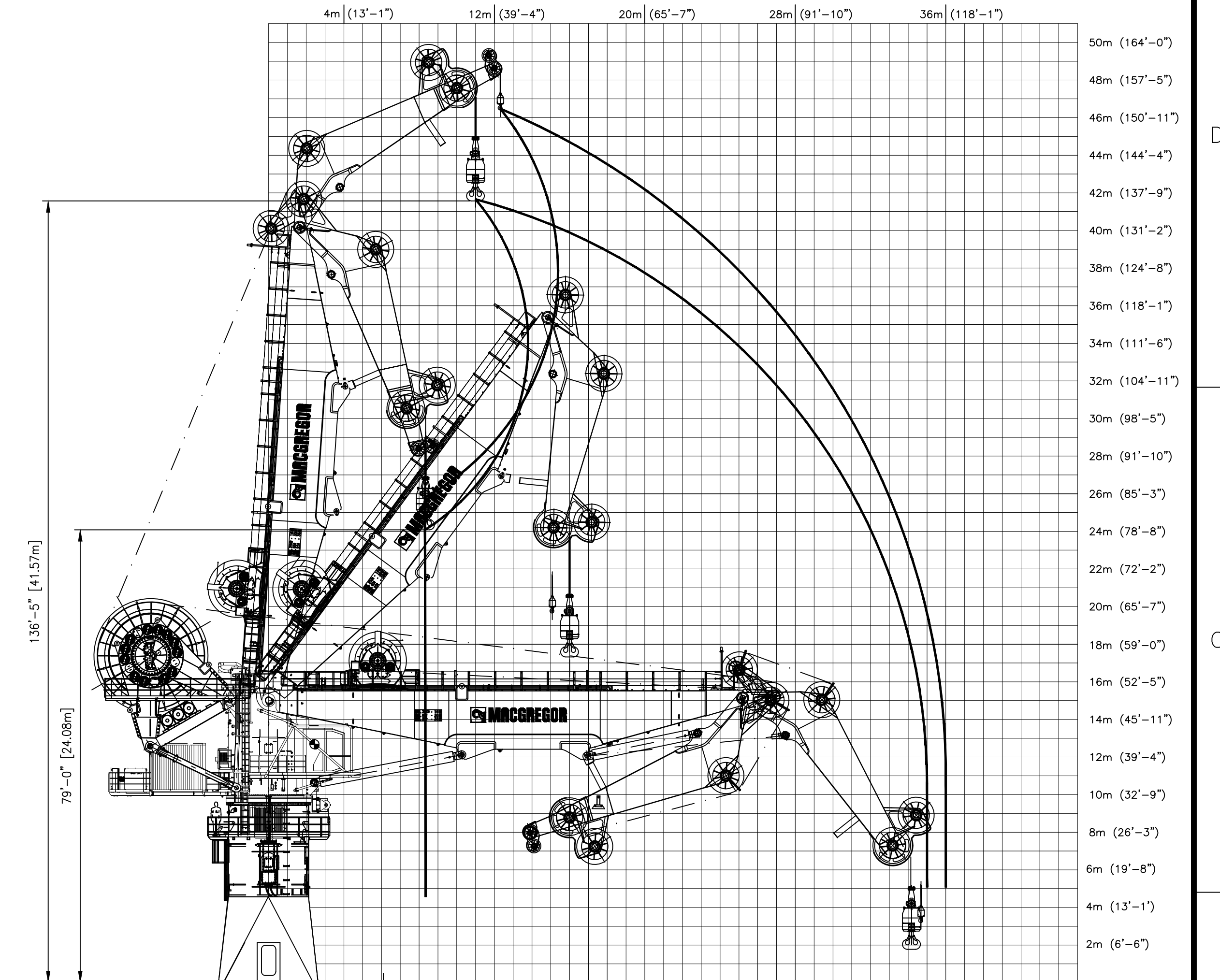
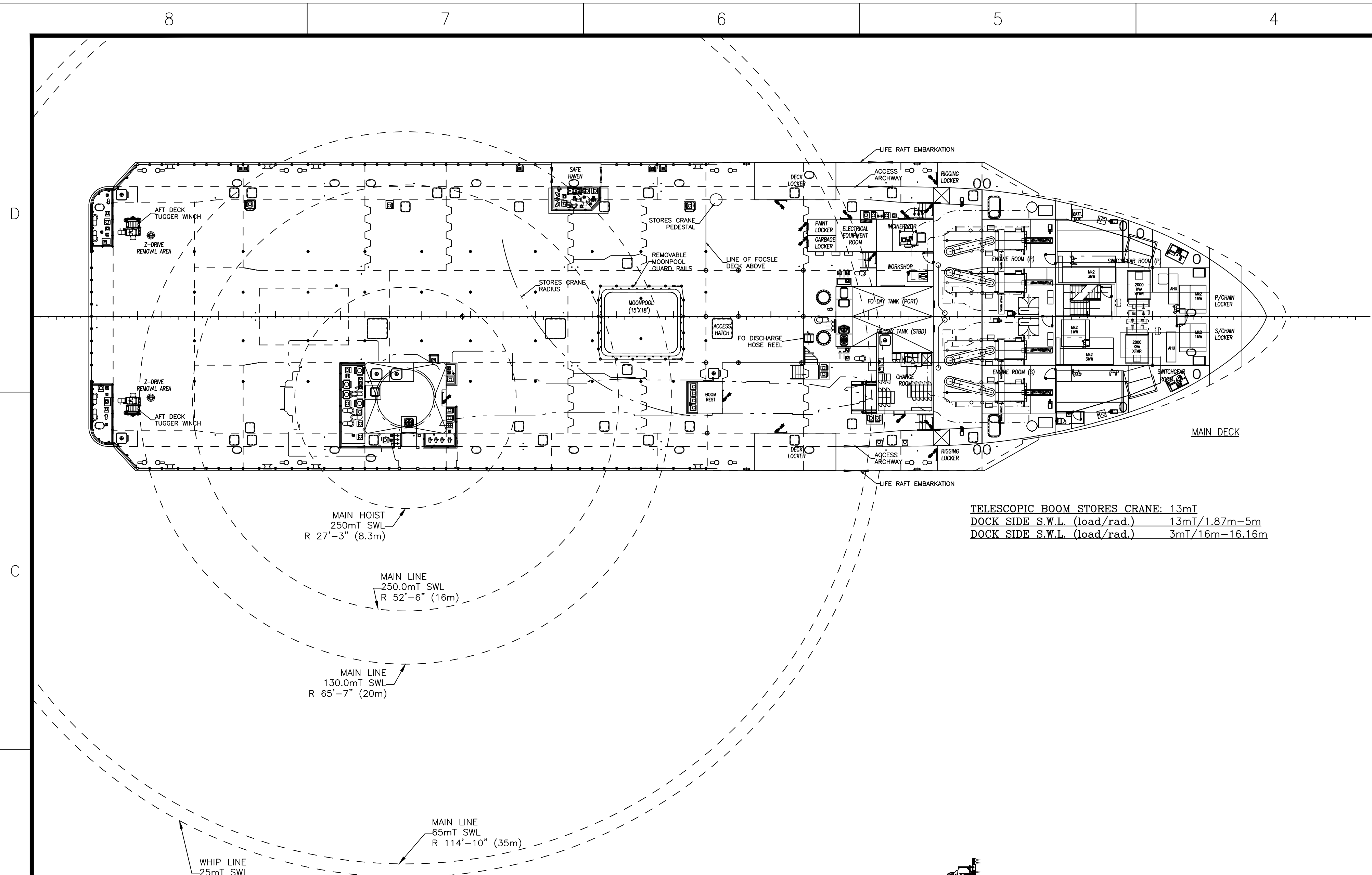


REVISIONS			
REV	DESCRIPTION	BY	DATE



KNUCKLE BOOM CRANE: 250mT AHC
 MAIN HOIST
 S.W.L. (load/rad./speed) 250mT/8.3-16m/20m/min
 S.W.L. (load/rad./speed) 65mT/35m/80m/min

WATER DEPTH (METERS)	LOAD (SWL AT WD)
1000	207.4mT
2000	164.7mT
3000	122.1mT
3700	92.3mT

WHIP HOIST
 S.W.L. (load/rad./speed) 25mT/8.3m-36m/120m/min
 WIRE LENGTH 3,700m

WATER DEPTH (METERS)	LOAD (SWL AT WD)
3700	4.58mT

HORNBECK OFFSHORE SERVICES

DRAWN BY: M. STANSBURY

CH'KD. BY: M. STANSBURY

APP'D. BY: P. LUBRANO

TASK # 6277

DATE: 08-24-16

HULL # ESG-242

SHEET 1 OF 1

302'-0" x 76'-0" x 26'-0"

CRANE AND LIFTING ARRANGEMENT

SCALE: 3/32"=1'-0"

DRAWING # 6.805

REV. 0