

8

7

6

5

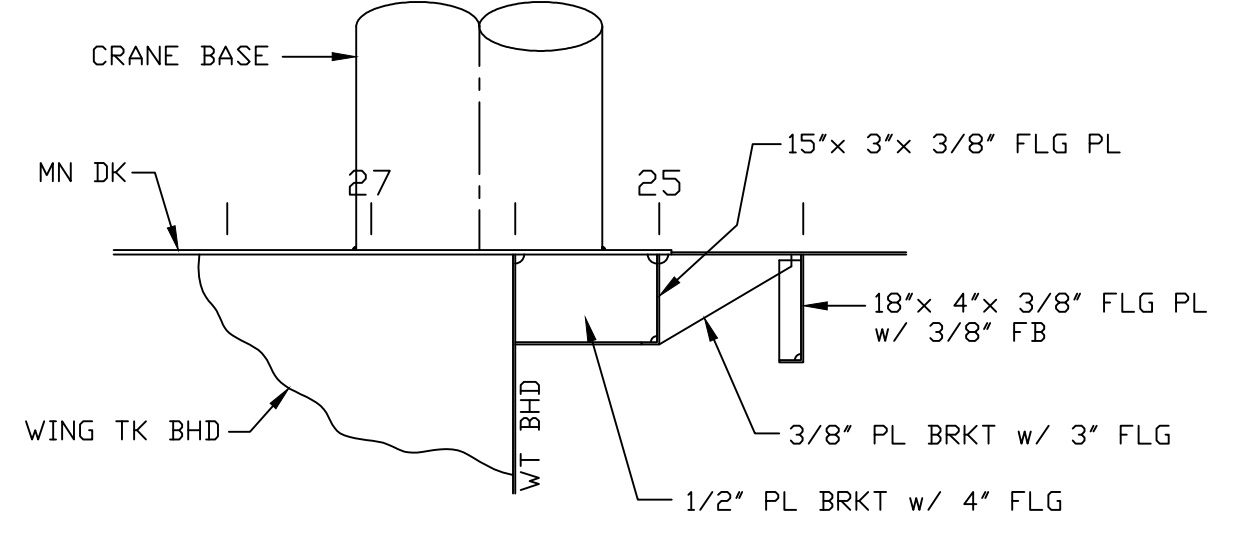
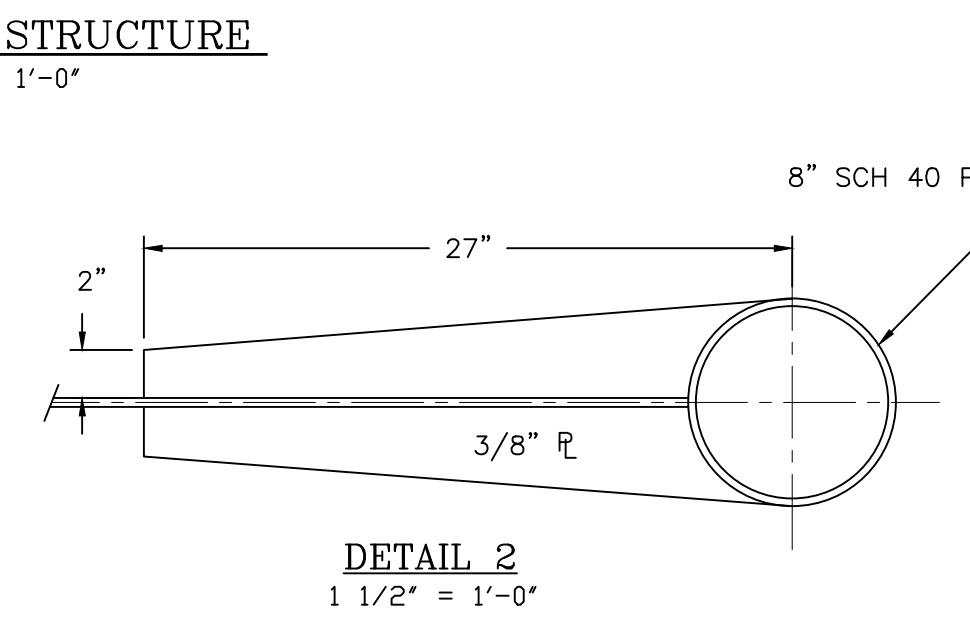
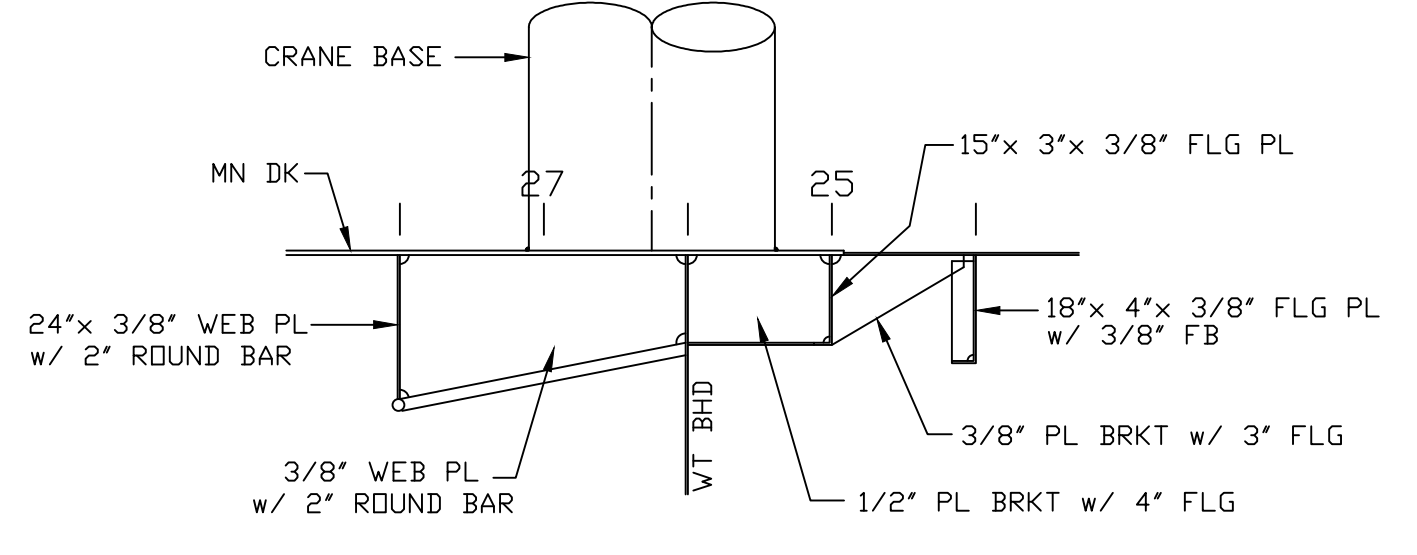
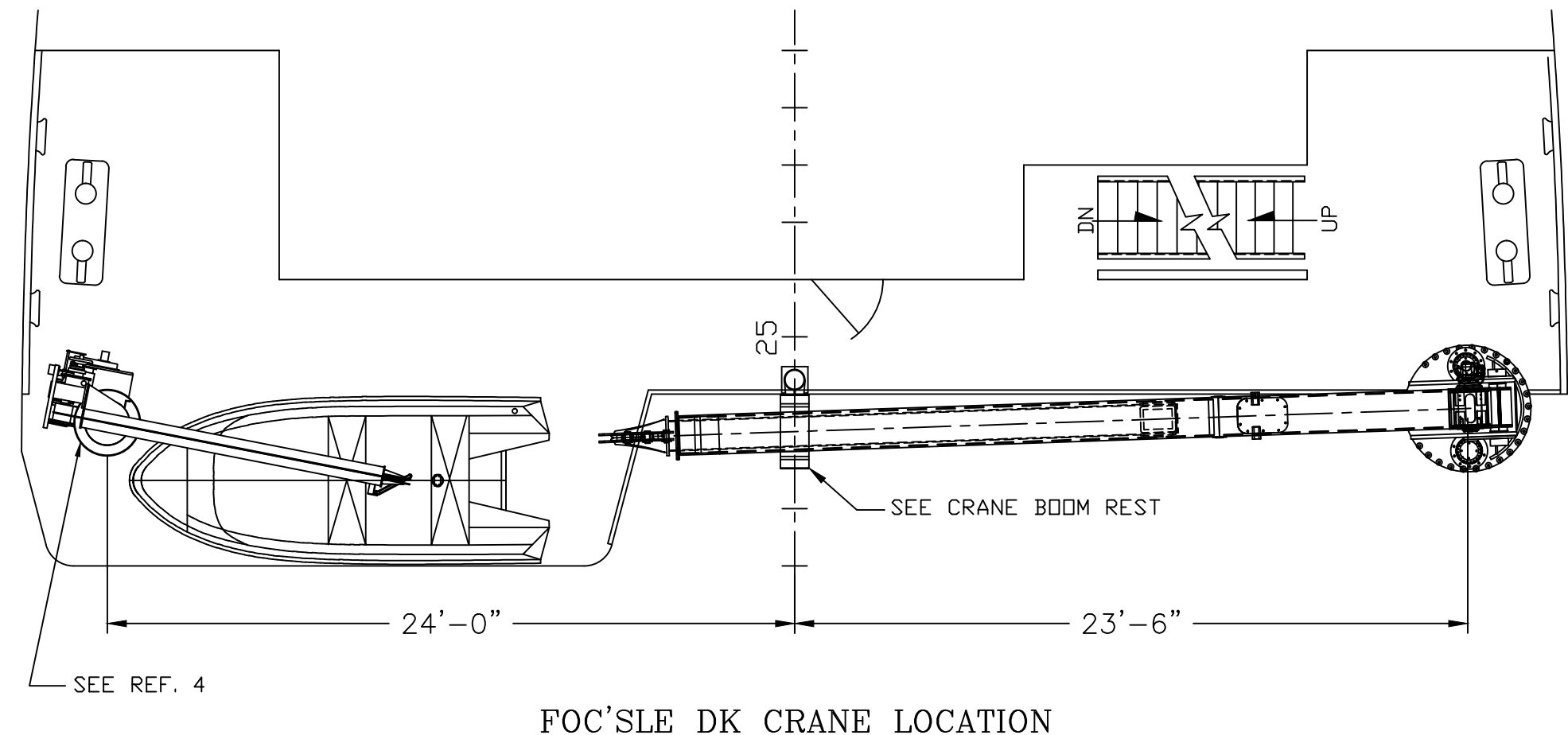
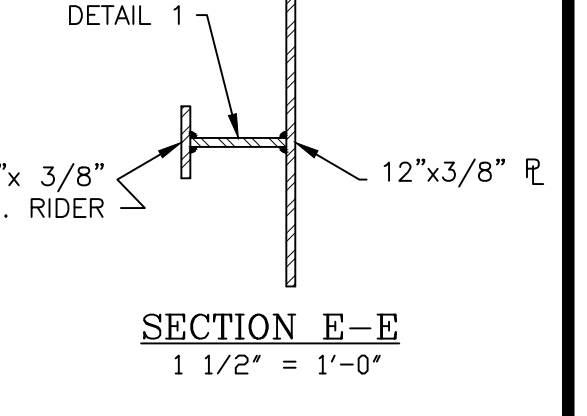
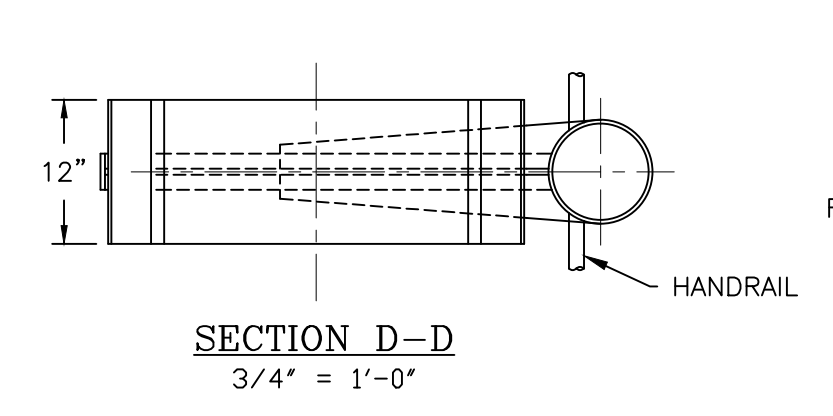
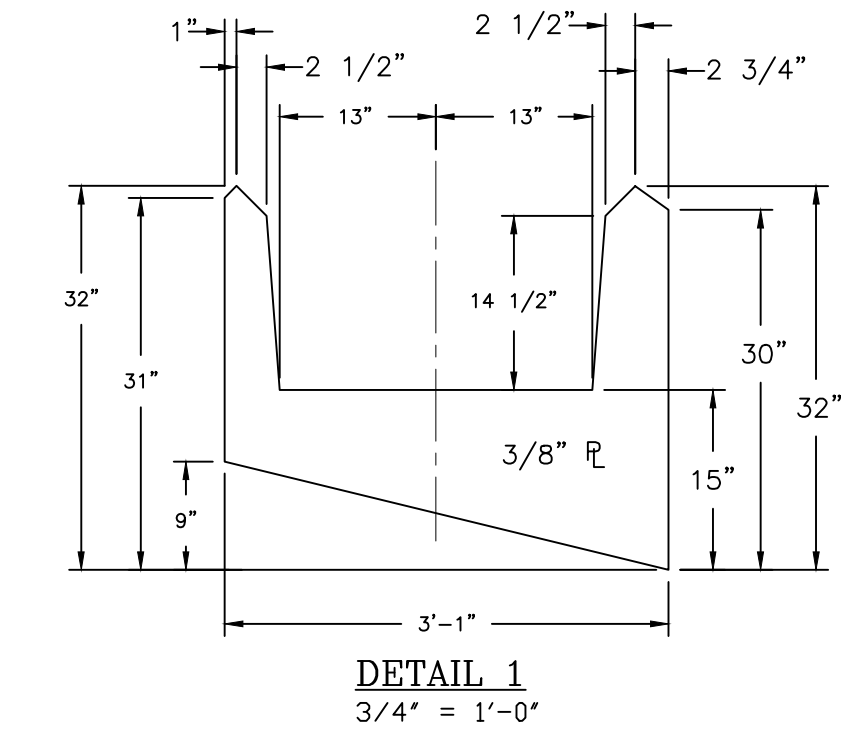
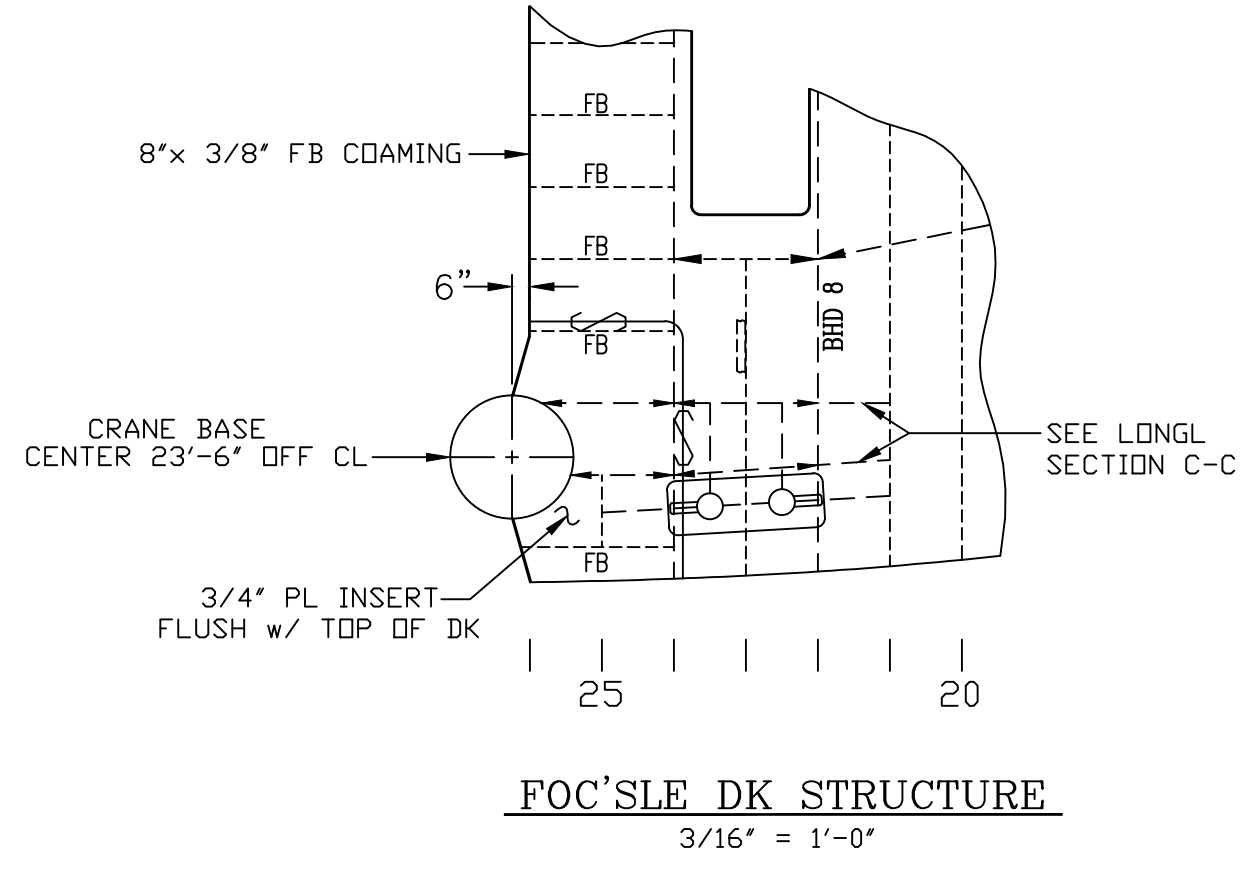
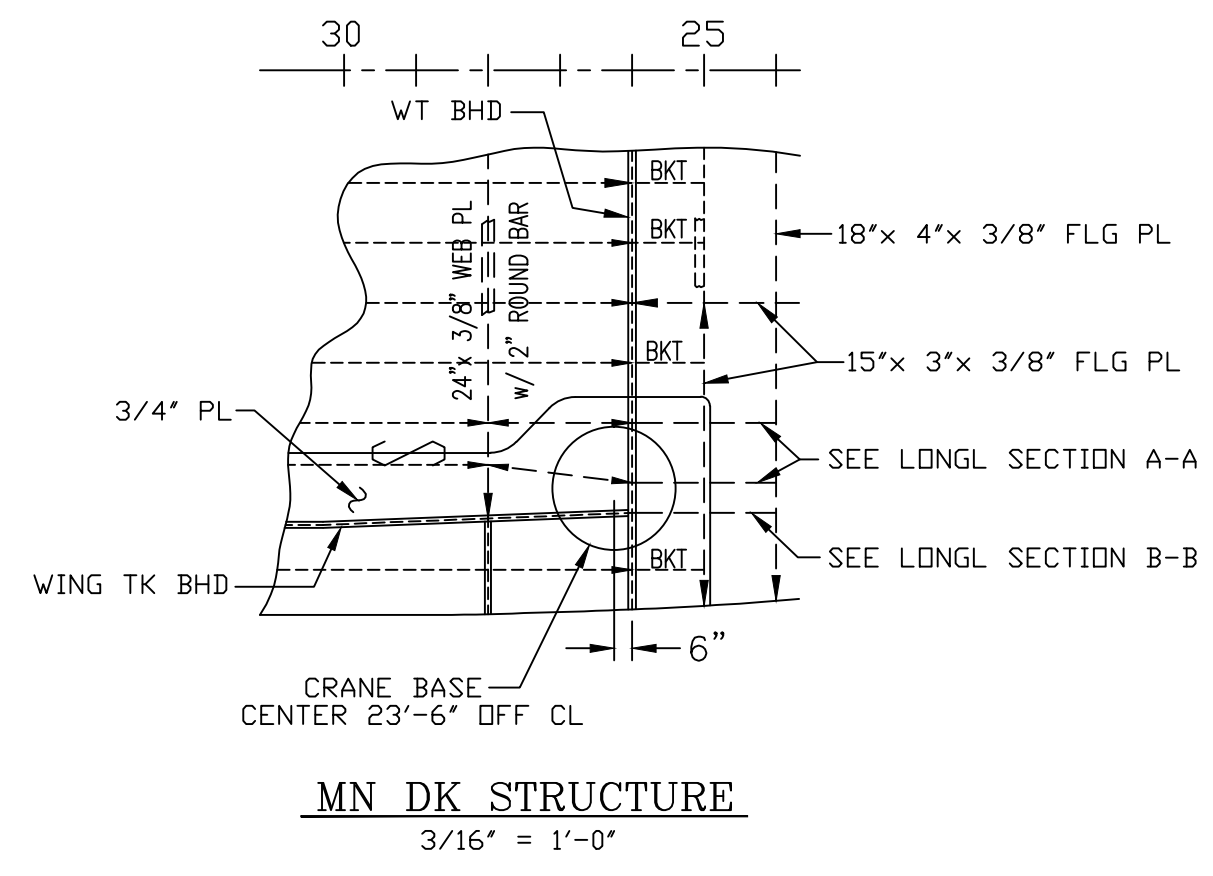
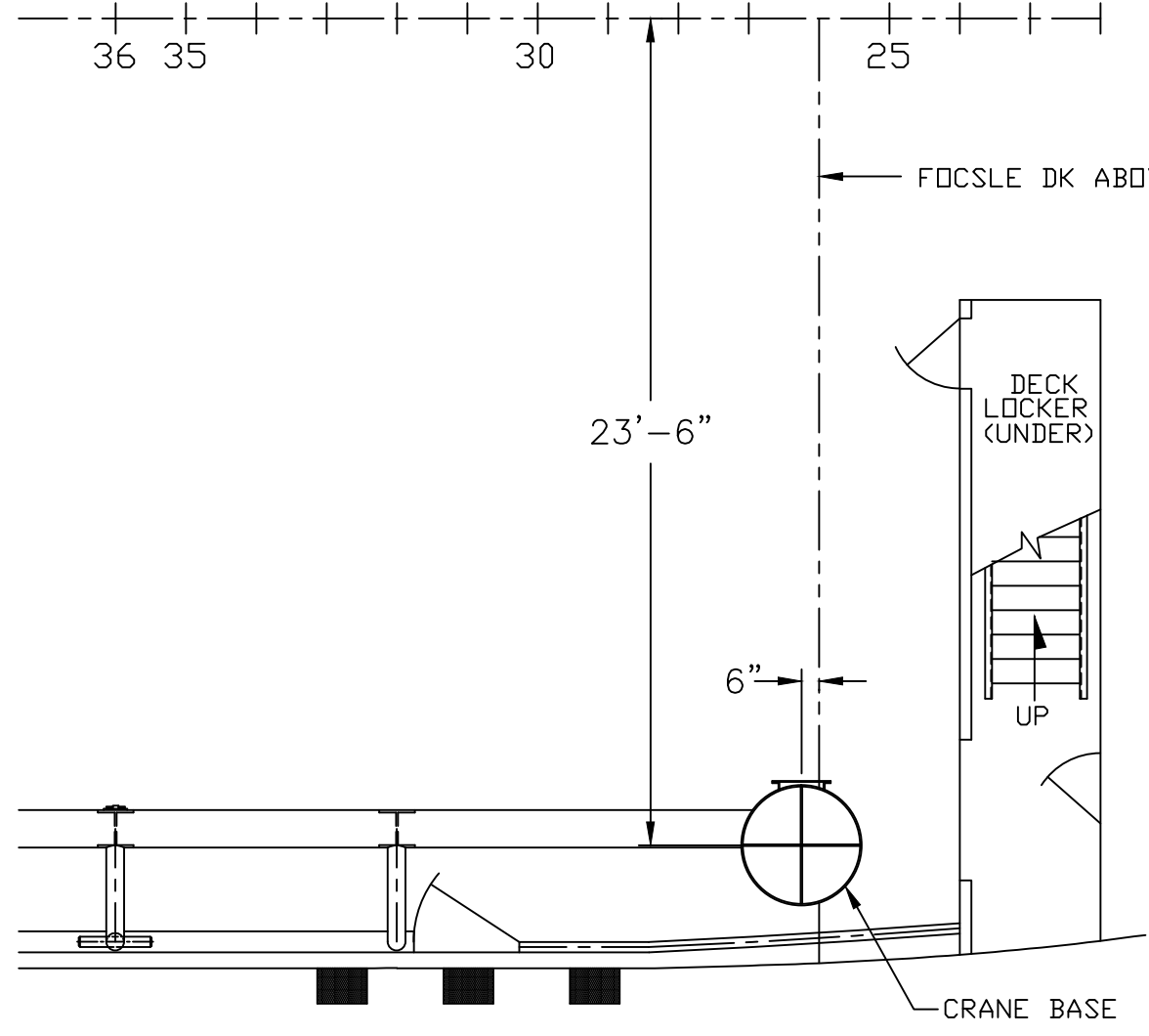
4

3

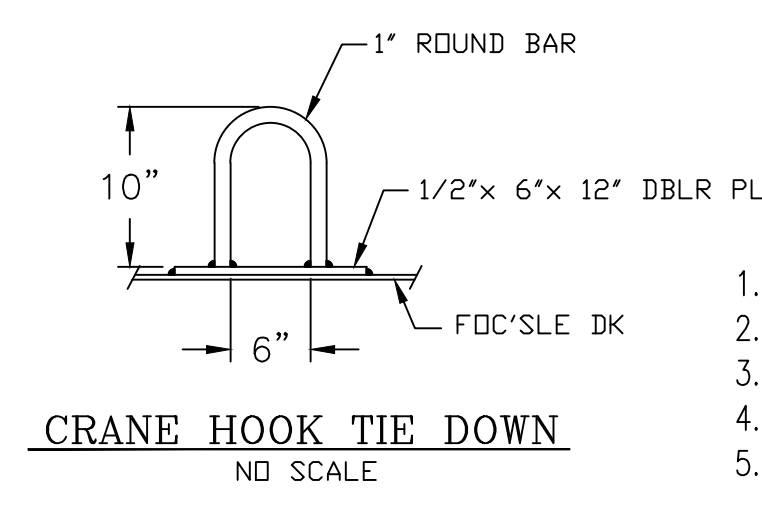
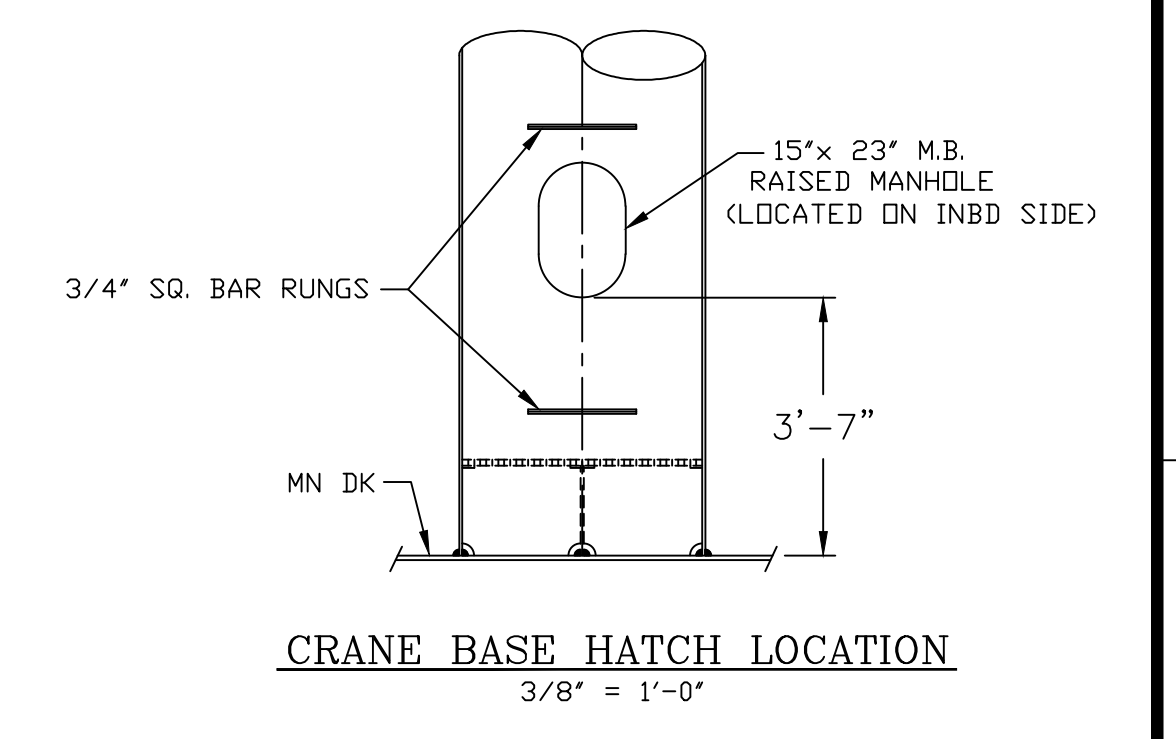
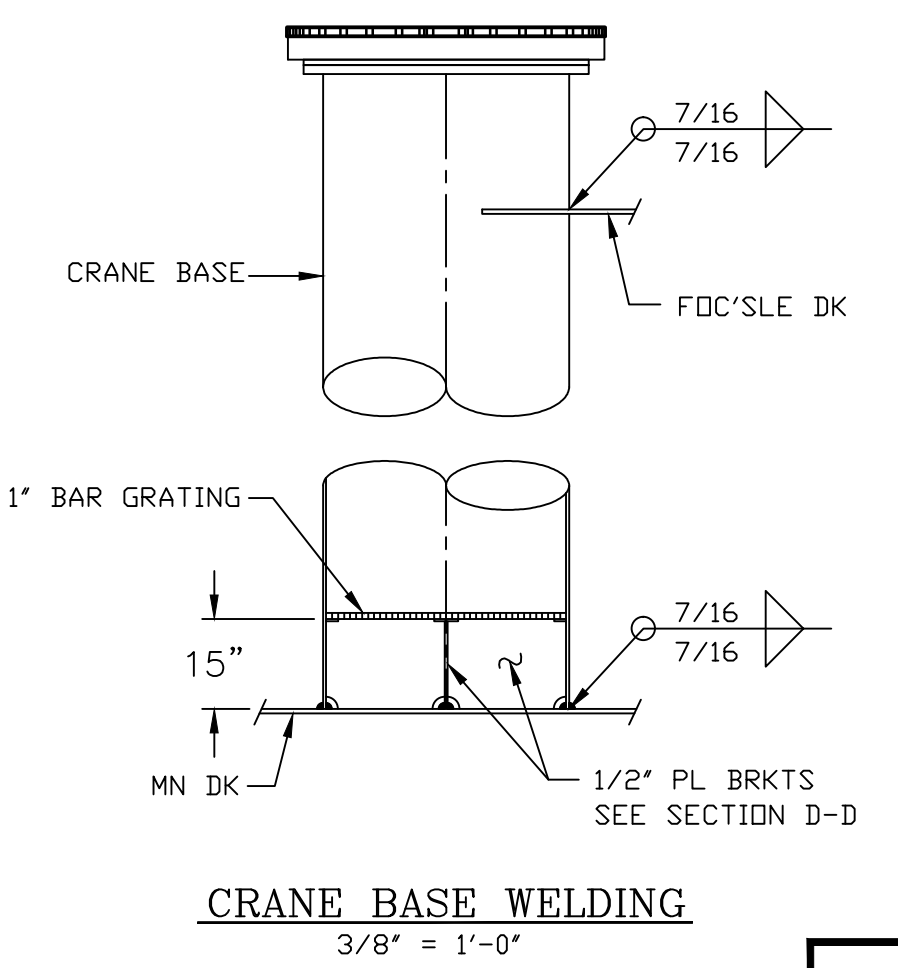
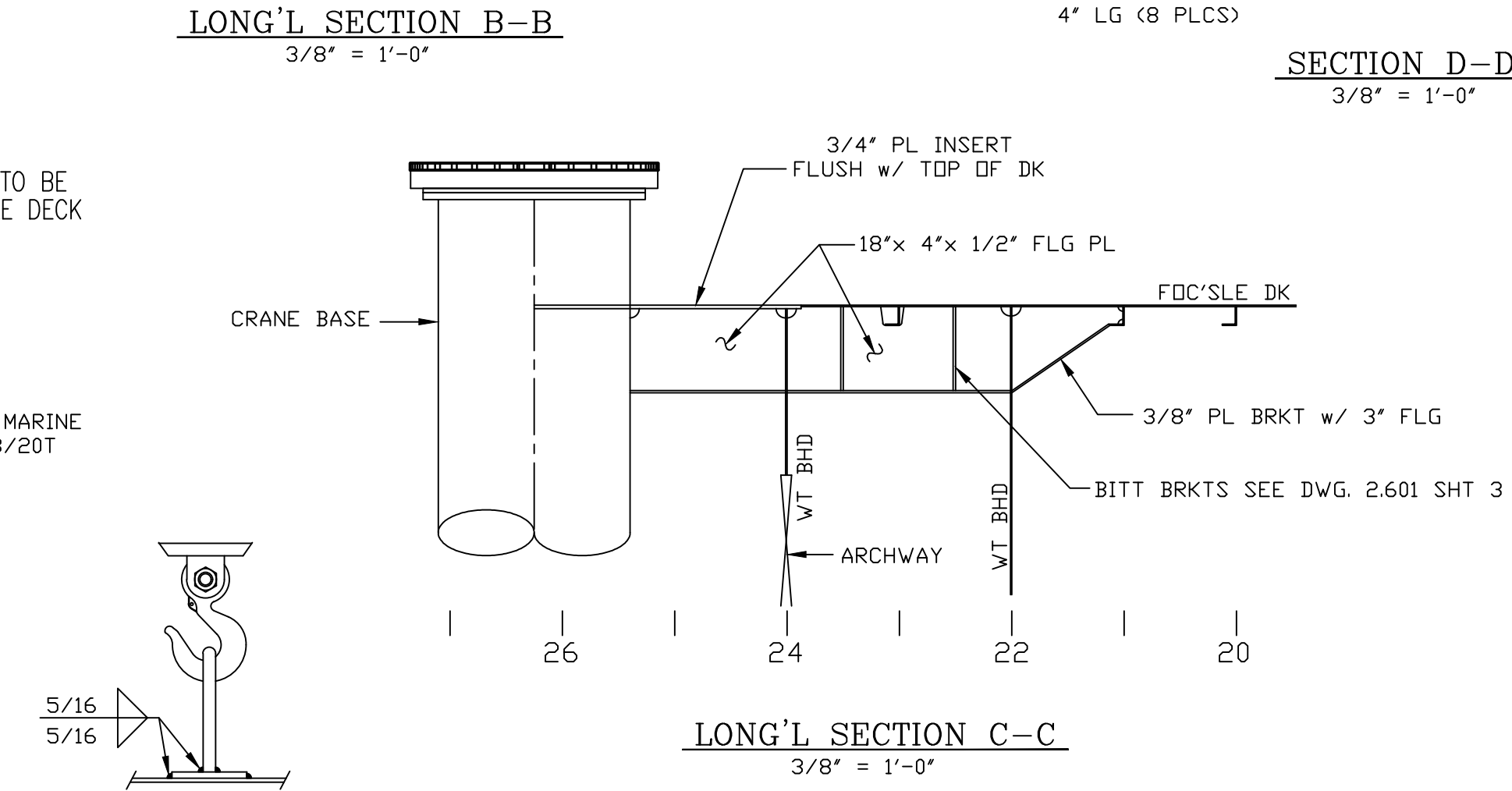
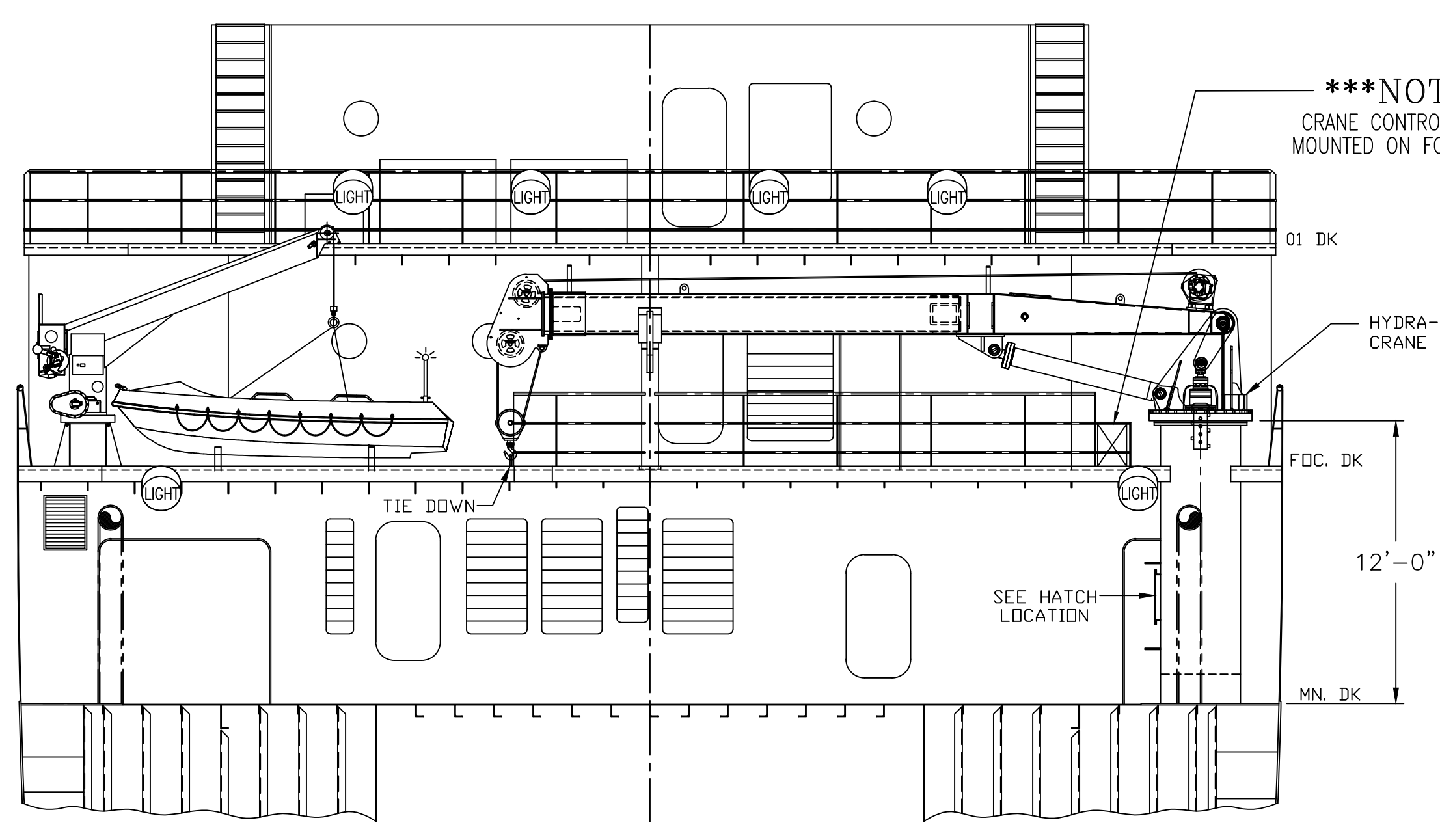
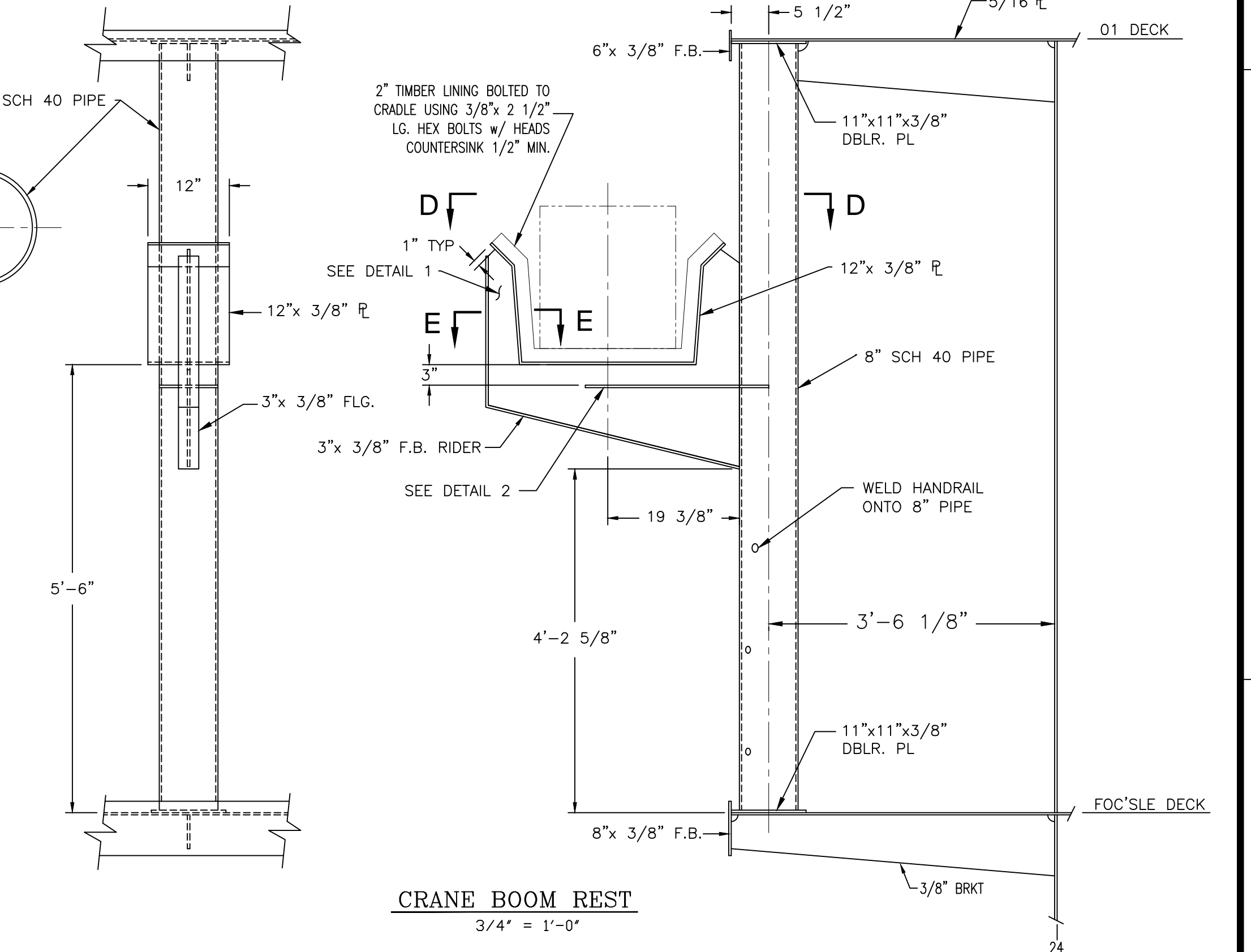
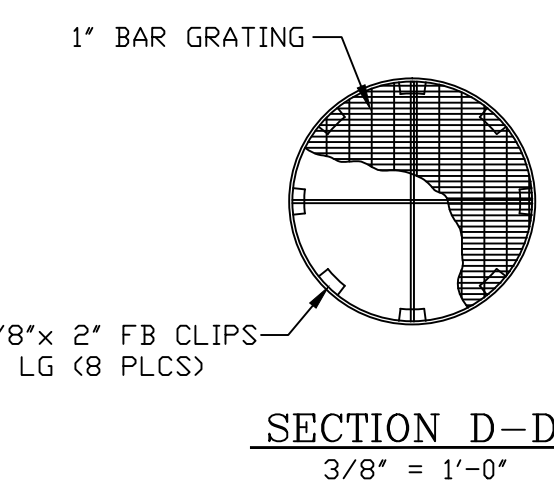
2

1

REVISIONS		
REV	DESCRIPTION	DATE
1	IN-HOUSE & HOS GENERAL REVISIONS	3-23-07
2	ADDED BOOM CRANE REST	4-29-08
3	RELOCATED CRANE CONTROLES	6-24-08



*****NOTE**
ALL CRANE SUPPORTS TO BE WELDED 1/4 DBL CONTINUOUS



- REFERENCES**
1. OUTBOARD PROFILE & GENERAL ARRANGEMENT DWG. 1.001
 2. MAIN DECK SCANTLINGS DWG. 2.201
 3. MAIN DECK SUPERSTRUCTURE DWG. 2.601
 4. RESCUE BOAT DAVIT FOUNDATION DETAILS DWG. 3.503
 5. HYDRA-PRO, INC. CRANE DWG. MB-05757

- GENERAL NOTES:**
1. ALL WELDING TO BE AS PER ABS RULES AND TO DEVELOP FULL STRENGTH OF STRUCTURAL MATERIAL, TO SURVEYORS SATISFACTION.
 2. ALL MATERIALS TO BE MILD STEEL ABS, GRADE A WITH A MINIMUM YIELD STRESS OF 34 KIPS PER SQUARE INCH EXCEPT FOR SHEER STRAKE IN MIDBODY, TO SURVEYORS SATISFACTION.
 3. FIT-UP AND WELD TO THE SATISFACTION OF THE ATTENDING SURVEYOR.
 4. ALL NEW STRUCTURE TO BE PREPARED AND COATED ACCORDING TO SPECIFICATIONS, SECTION 13.
 5. SHIPS STRUCTURAL SUPPORT DESIGNED FOR CRANE OVERTURNING MOMENT OF 450,000 lb/ft AND AXIAL FORCE OF 57,000 lbs.

HOS HORNBECK OFFSHORE SERVICES

THIS DRAWING, DESIGN CONCEPT AND SPECIFICATIONS ARE THE PROPERTY OF HORNBECK OFFSHORE SERVICES AND ARE FURNISHED ON A CONFIDENTIAL BASIS WITH AN EXPRESSED UNDERSTANDING THAT THEY WILL NOT BE COPIED IN ANY MANNER USED FOR MANUFACTURE, SOLD, TRANSFERRED, NOR USED TO THE DETRIMENT OF SAID FIRM WITHOUT WRITTEN PERMISSION.

DRAWN BY: JONATHAN LEJEUNE	250'-0" X 54'-0" X 19'-0" OSV	REV.
CH'KD. BY: MIKE JANNISE	CRANE LAYOUT & DETAILS	3
APP'D. BY:	SCALE: 3/16" = 1'-0"	DATE: 3-15-07
APP'D. BY:	DRAWING # 3.502	LVI HULL #351-#353
		SHEET OF

8

7

6

5

4

3

2

1