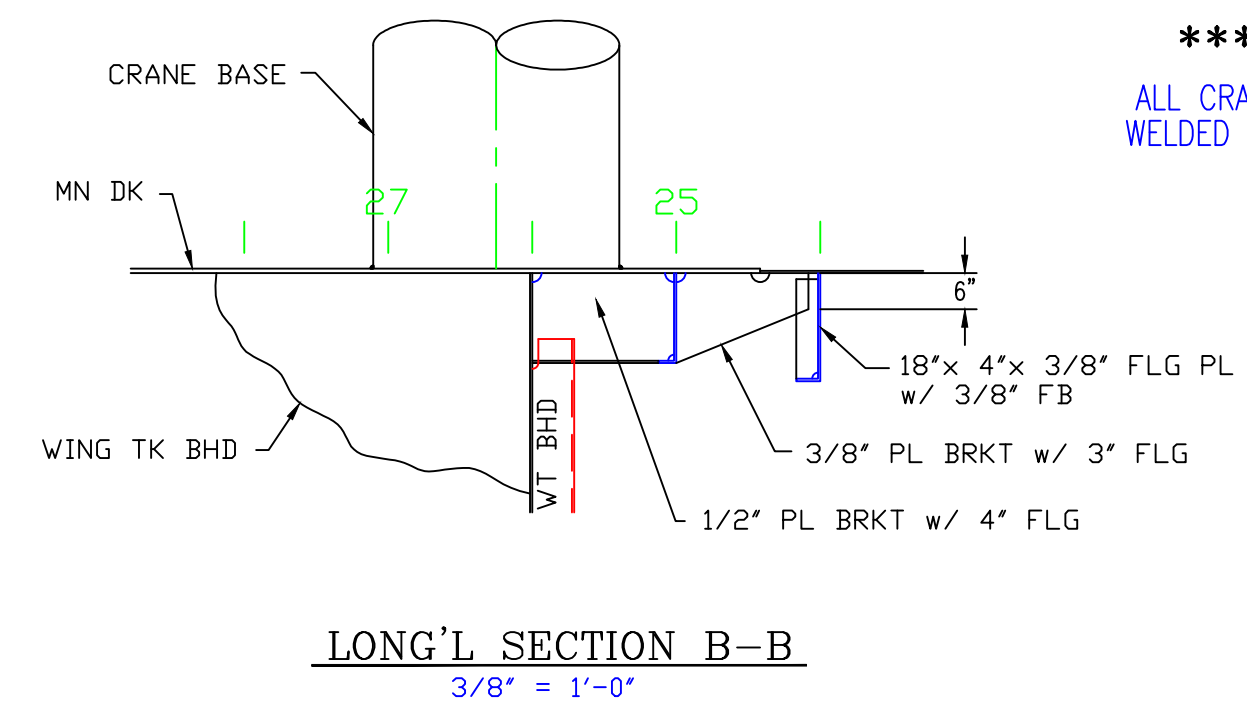
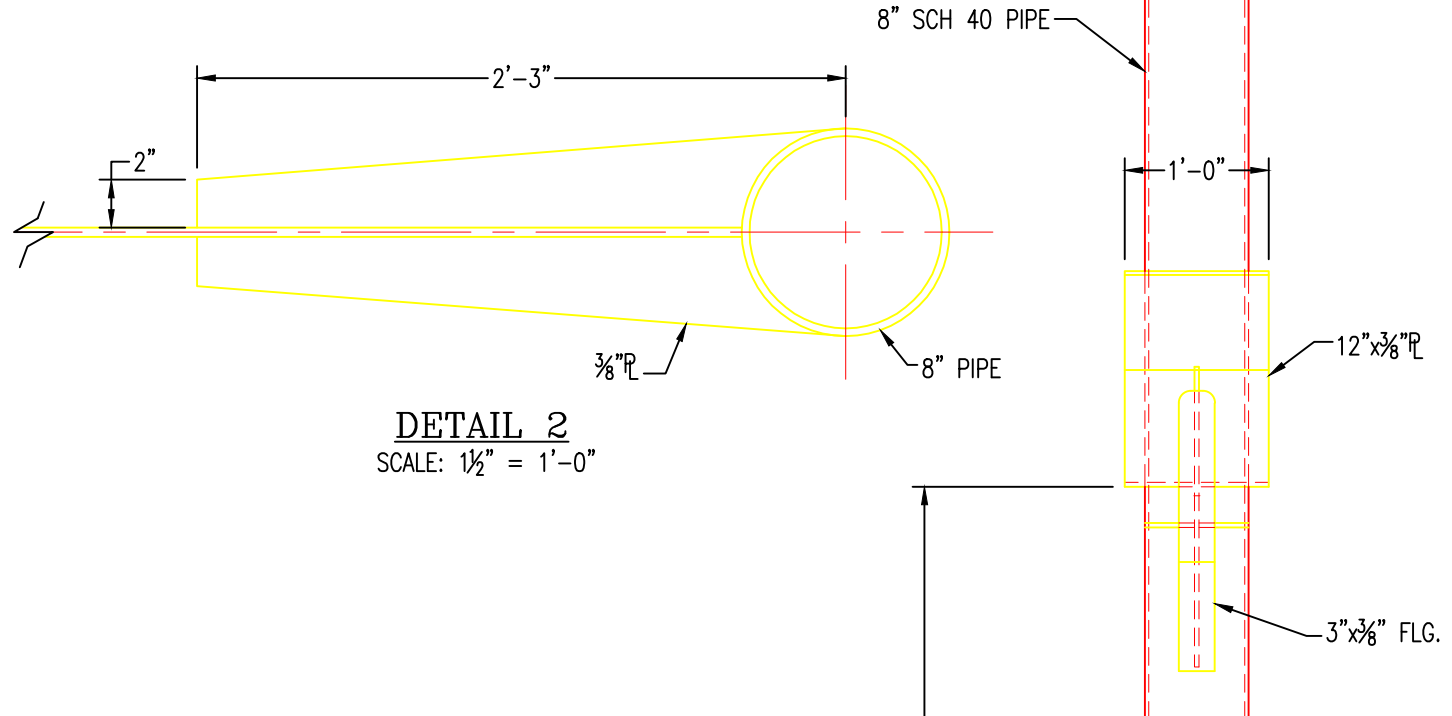
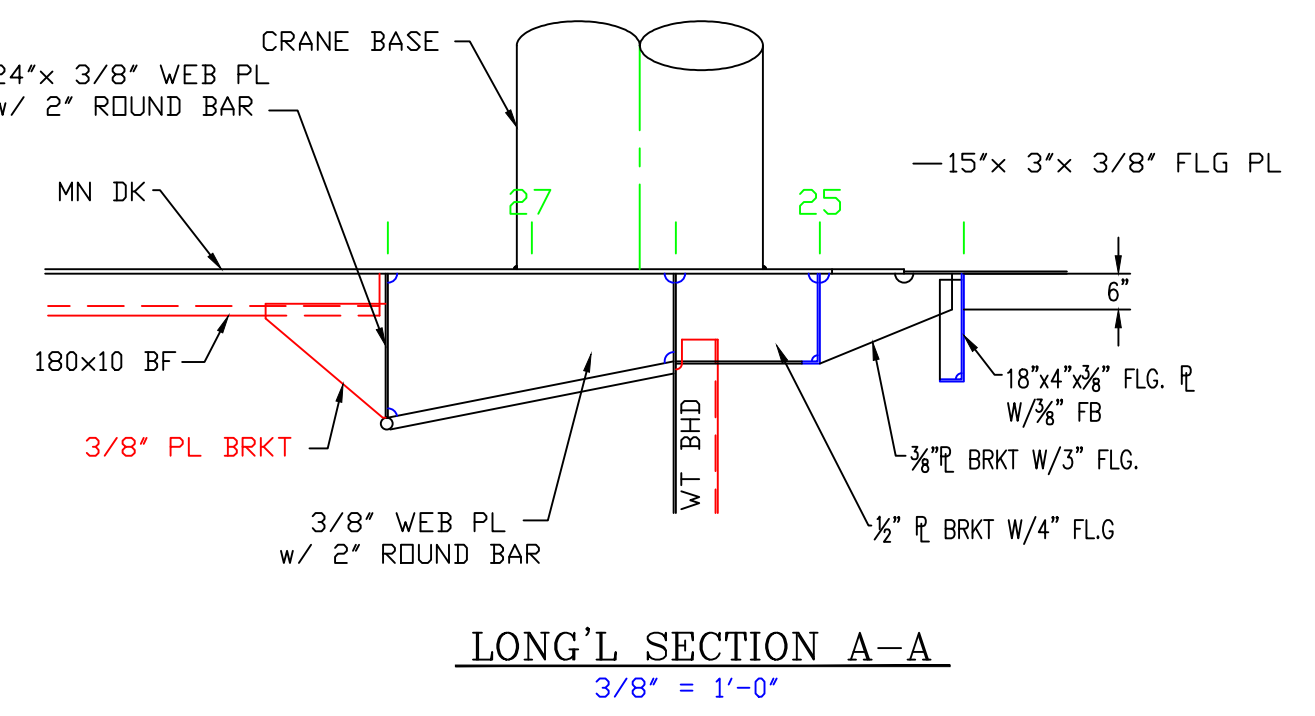
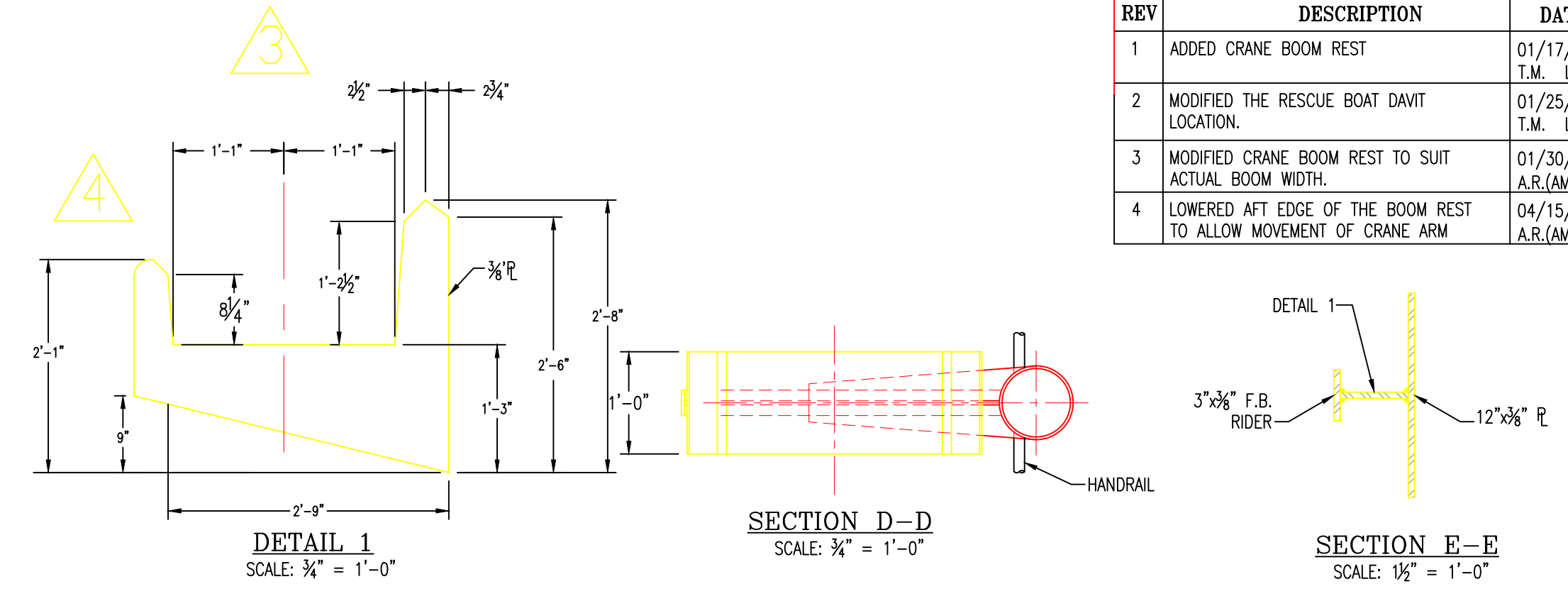
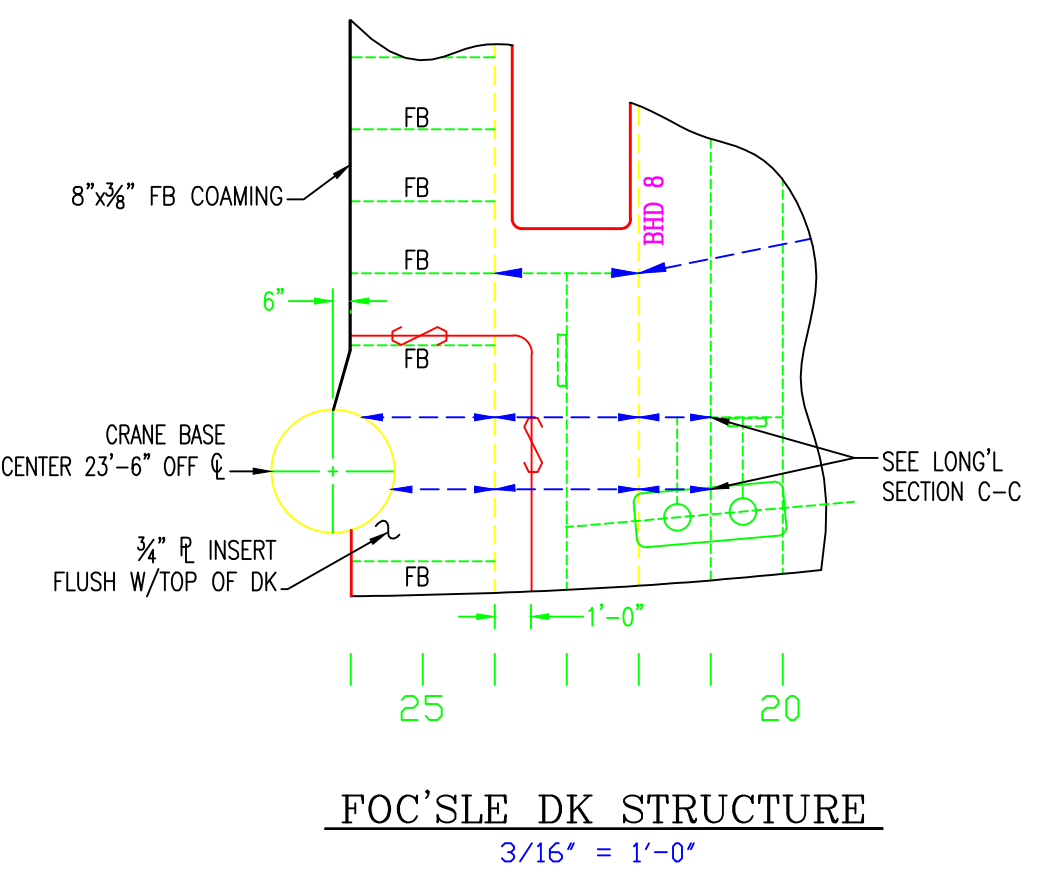
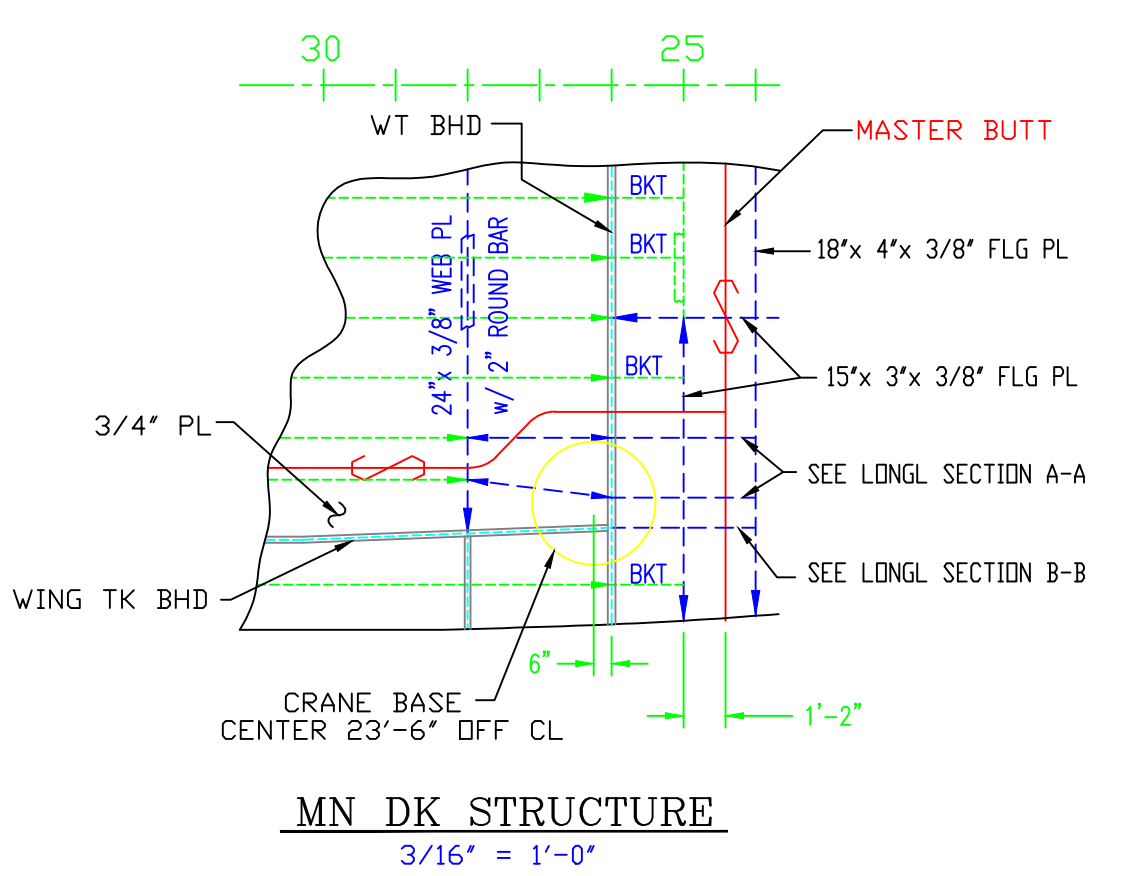
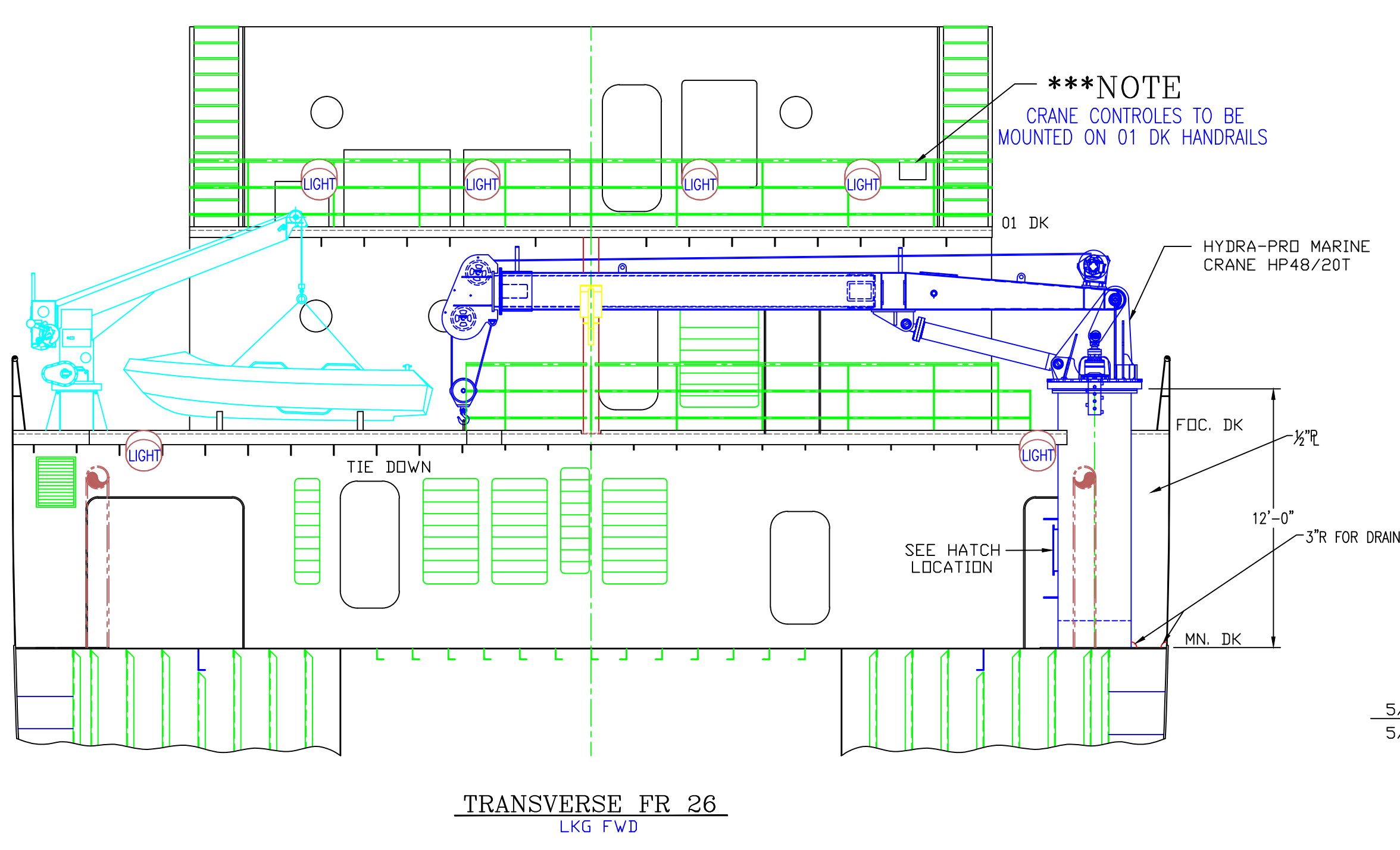
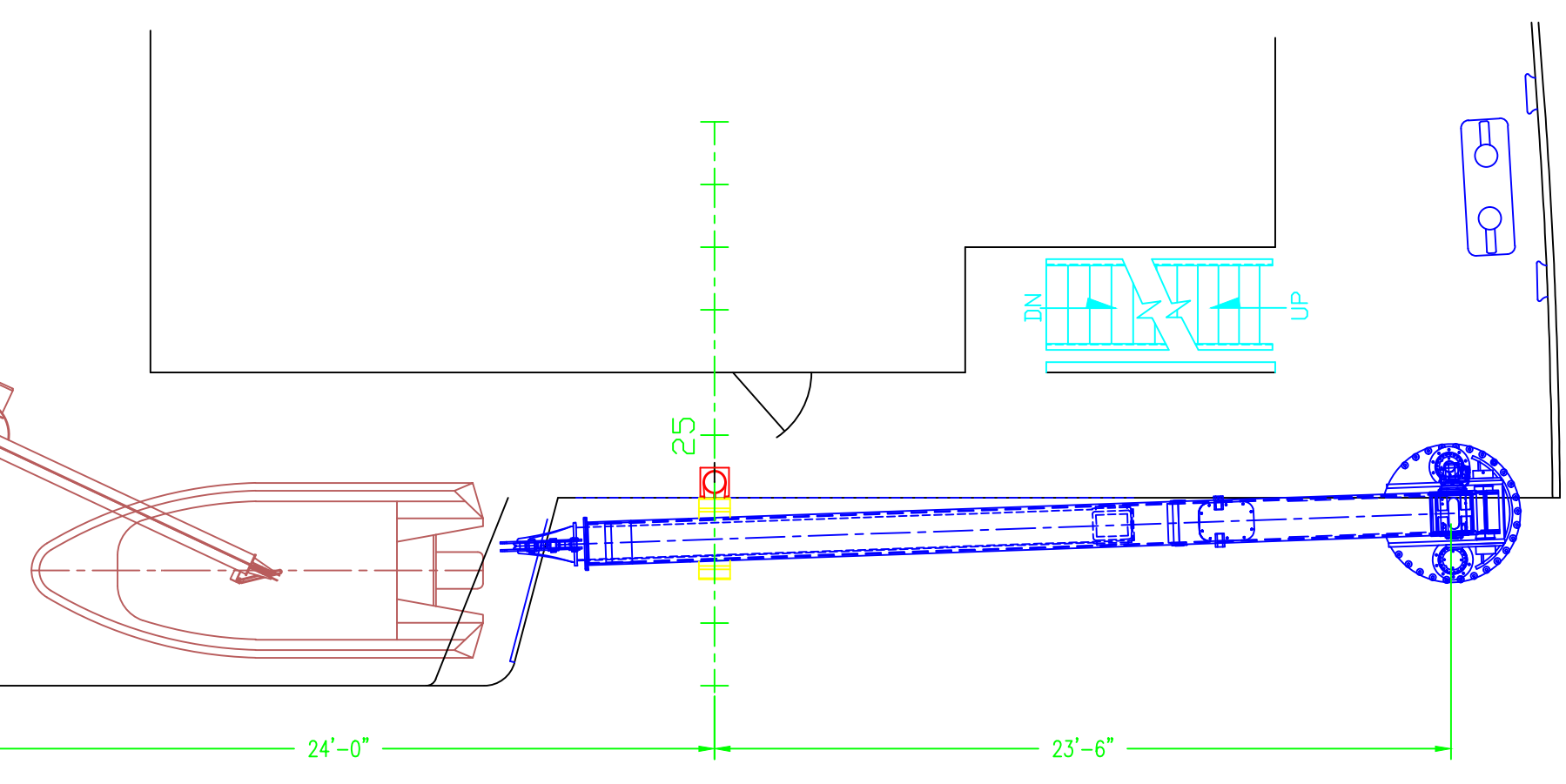
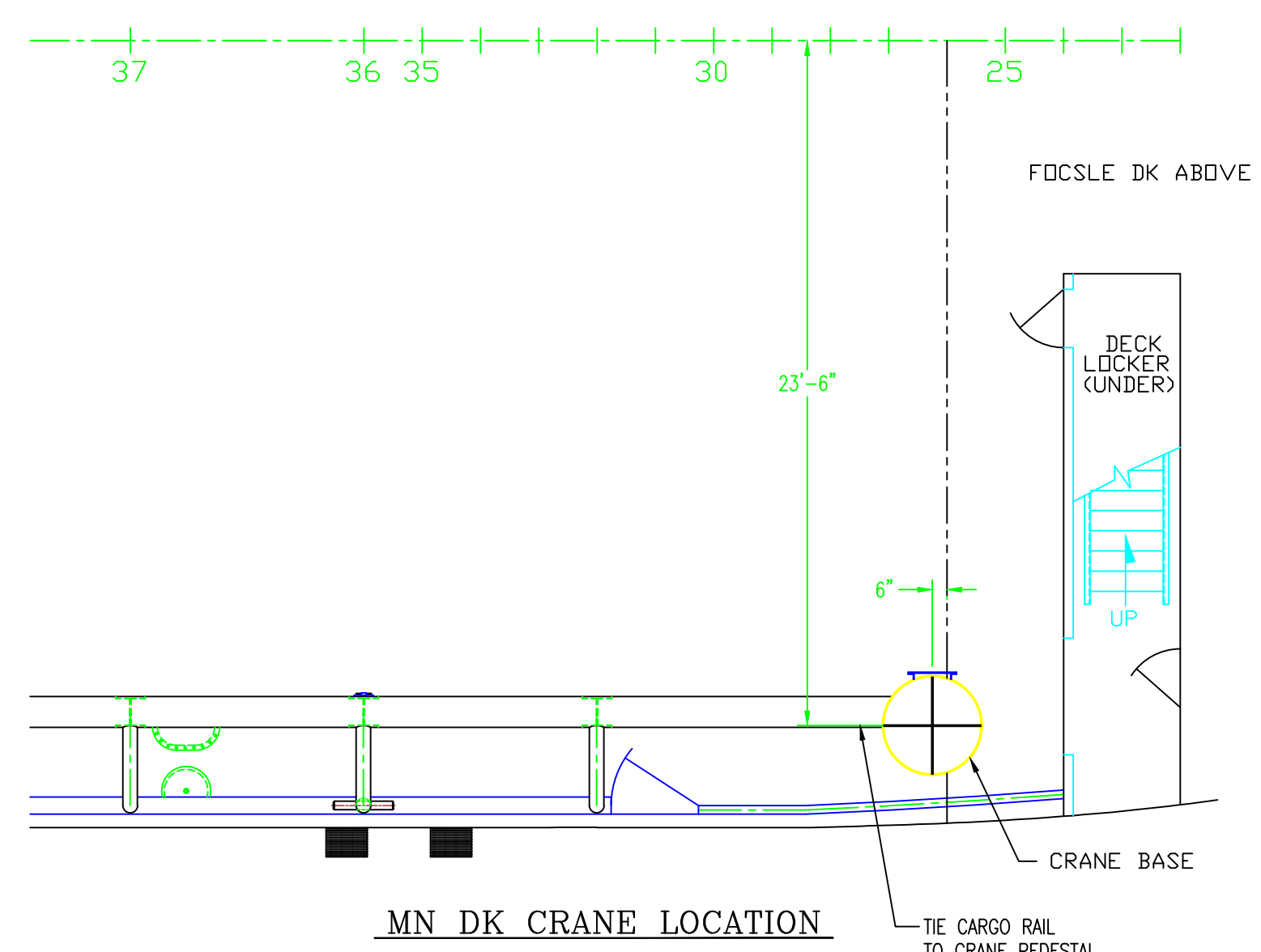
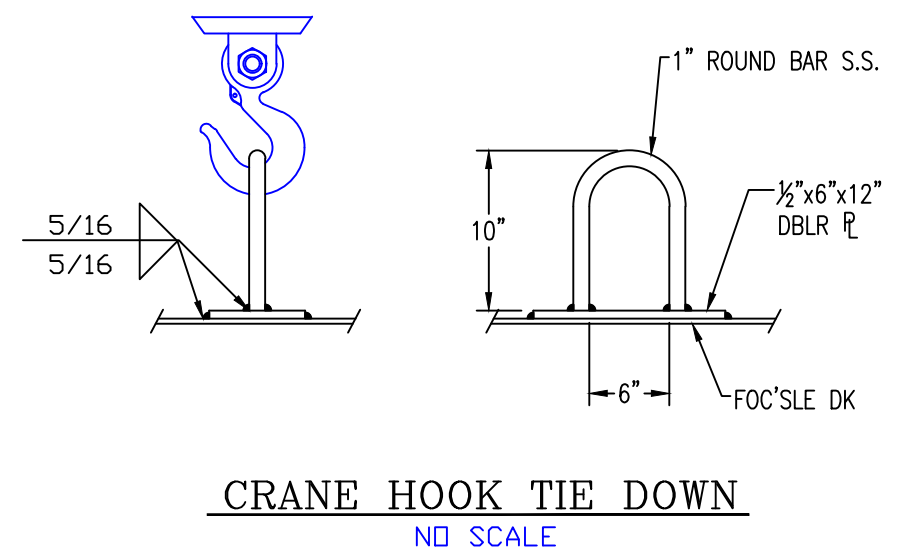
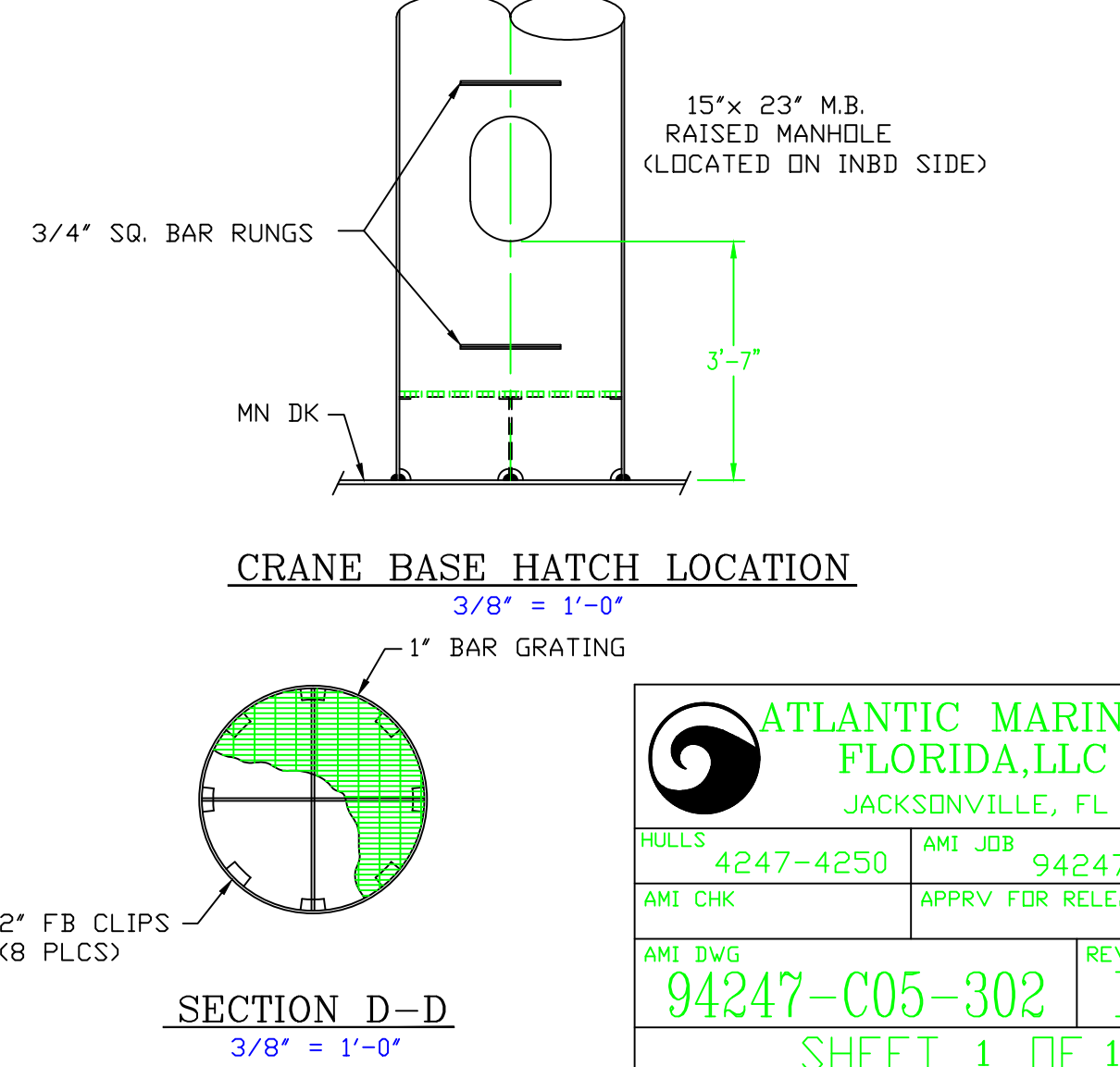
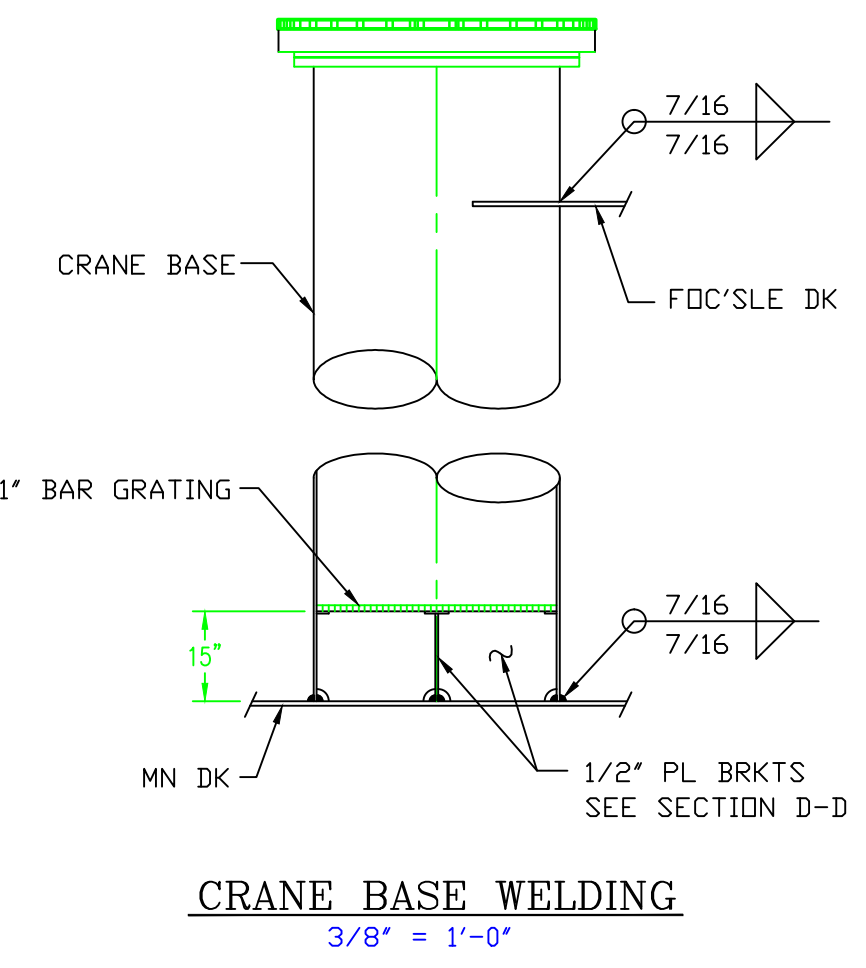
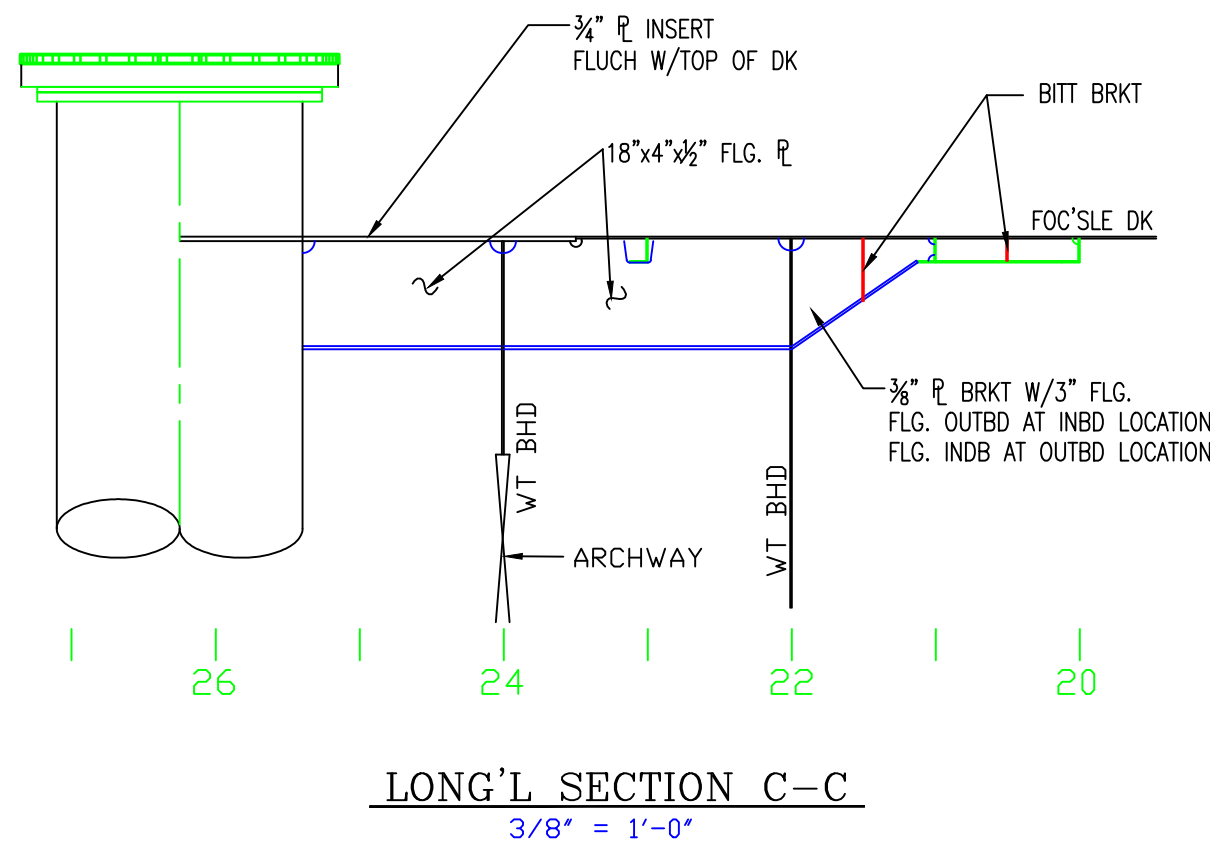
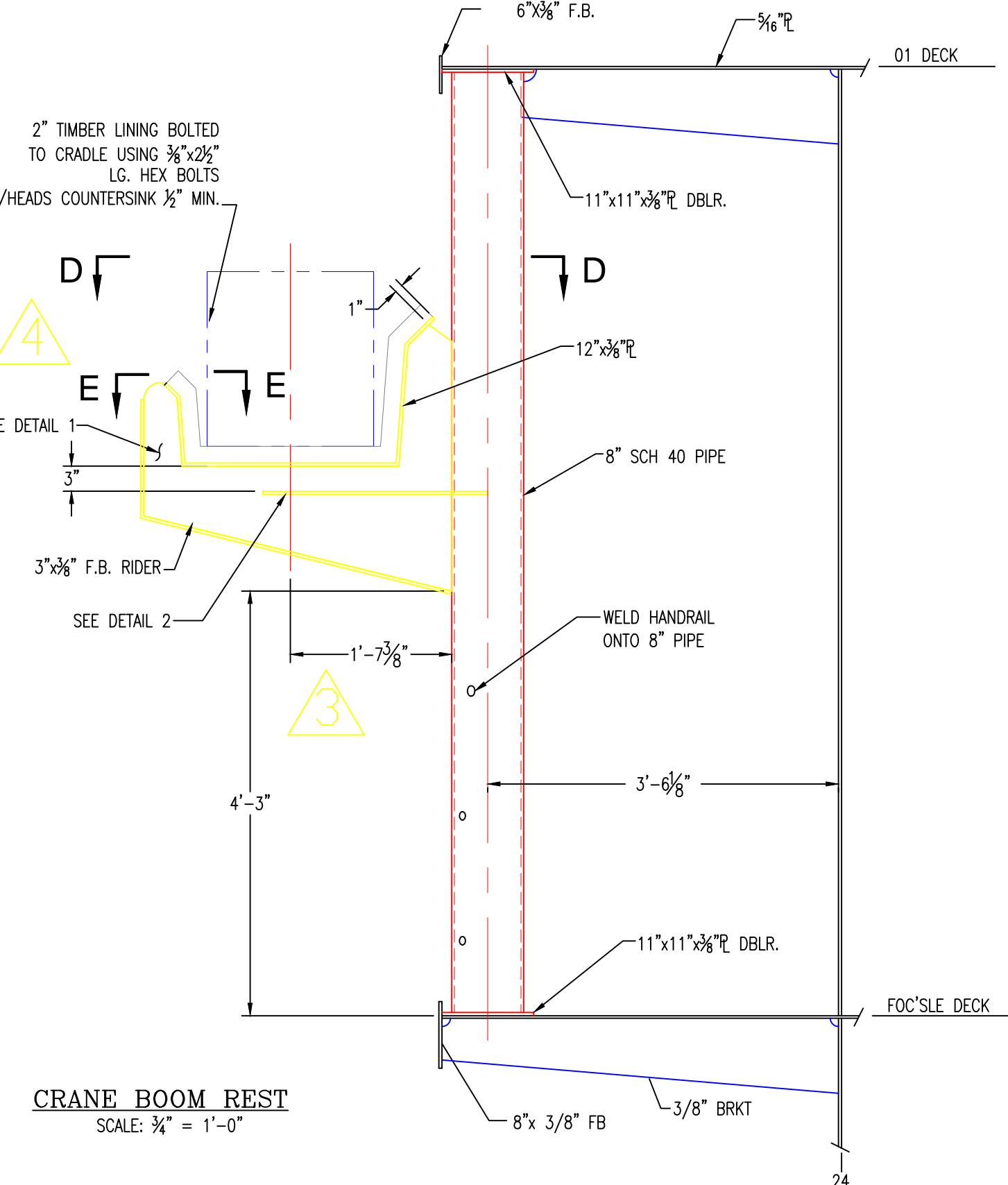


REVISIONS		
REV	DESCRIPTION	DATE
1	ADDED CRANE BOOM REST	01/17/08 T.M. L.S.
2	MODIFIED THE RESCUE BOAT DAVIT LOCATION.	01/25/08 T.M. L.S.
3	MODIFIED CRANE BOOM REST TO SUIT ACTUAL BOOM WIDTH.	01/30/08 A.R.(AMF)
4	LOWERED AFT EDGE OF THE BOOM REST TO ALLOW MOVEMENT OF CRANE ARM.	04/15/08 A.R.(AMF)



*****NOTE**
ALL CRANE SUPPORTS TO BE WELDED 1/4 DBL CONTINUOUS



REFERENCES

- OUTBOARD PROFILE & GENERAL ARRANGEMENT DWG. 1.001
- MAIN DECK SCANTLING DWG. 2.201.
- MAIN DECK SUPERSTRUCTURE DWG. 2.601
- RESCUE BOAT DAVIT FOUNDATION DETAILS DWG. 3.503
- HYDRA-PRO, INC. CRANE DWG. MB-05757

GENERAL NOTES:

- ALL WELDING TO BE AS PER ABS RULES AND TO DEVELOP FULL STRENGTH OF STRUCTURAL MATERIAL, TO SURVEYORS SATISFACTION.
- ALL MATERIALS TO BE MILD STEEL ABS, GRADE A WITH A MINIMUM YIELD STRESS OF 34 KIPS PER SQUARE INCH EXCEPT FOR SHEER STRAKE IN MIDBODY, TO SURVEYORS SATISFACTION.
- FIT-UP AND WELD TO THE SATISFACTION OF THE ATTENDING SURVEYOR.
- ALL NEW STRUCTURE TO BE PREPARED AND COATED ACCORDING TO SPECIFICATIONS, SECTION 13.
- SHIPS STRUCTURAL SUPPORT DESIGNED FOR CRANE OVERTURNING MOMENT OF 450,000 lb/ft AND AXIAL FORCE OF 57,000 lbs.

ATLANTIC MARINE FLORIDA, LLC
JACKSONVILLE, FL

HULLS 4247-4250 AMI JOB 94247
AMI CHK APPROV FOR RELEASE

AMI DWG 94247-C05-302 REV D
SHEET 1 OF 1

HORNBECK OFFSHORE SERVICES

CRANE LAYOUT & DETAILS

DRAWN BY: JONATHAN LEJEUNE 240'-0" X 54'-0" 19'-0"
CH'KD. BY: MIKE JANNISE
APP'D. BY: SCALE: 3/16" = 1'-0" DATE: 4-2-07 REV. 4
PROJECT # 1362 DRAWING # 3.502 SHEET 1 OF 0