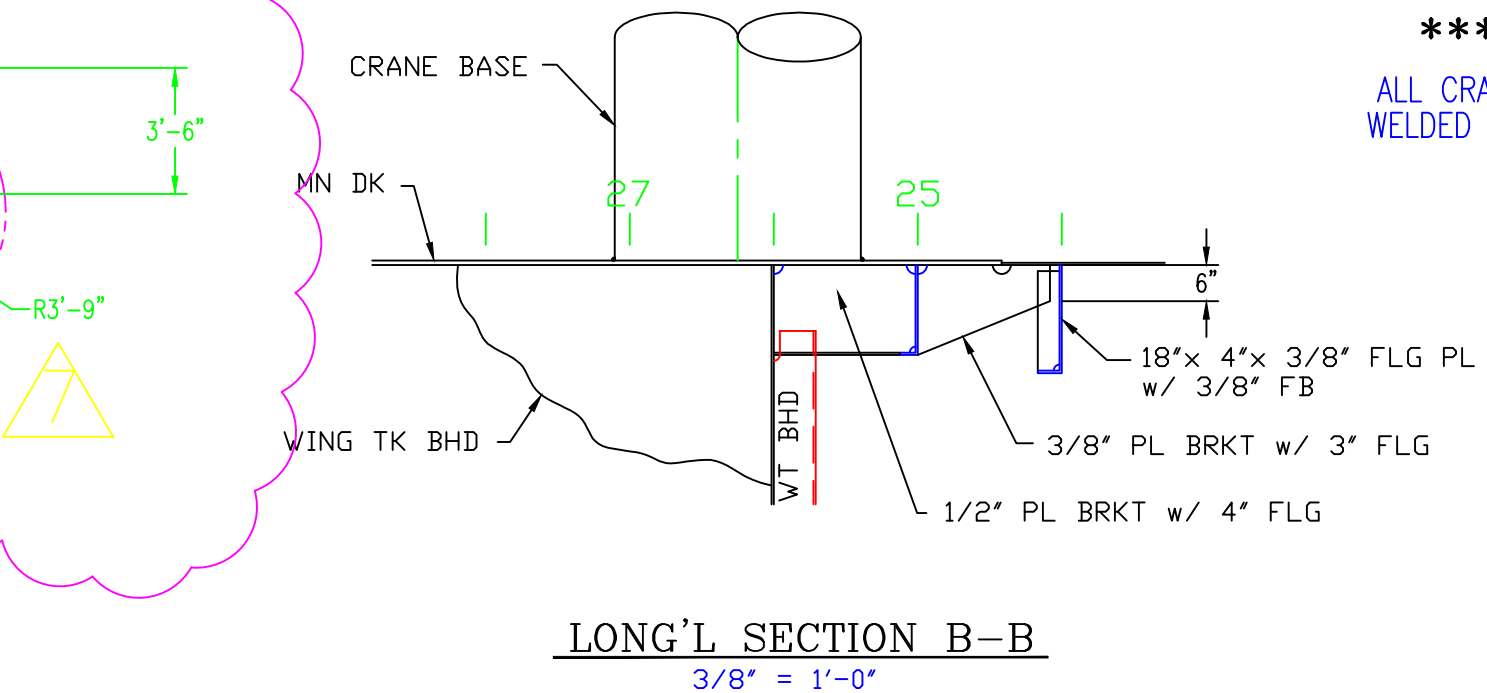
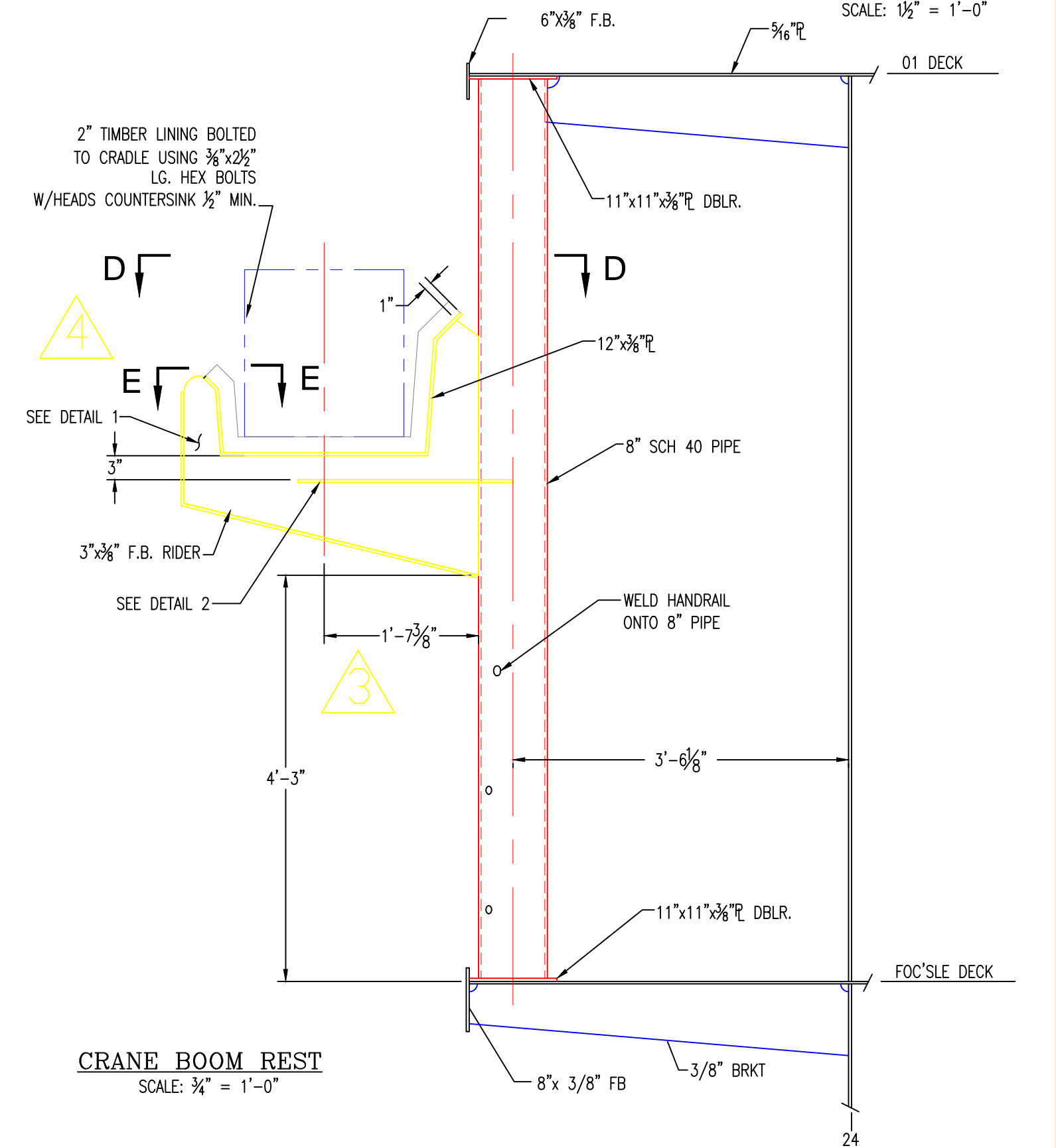
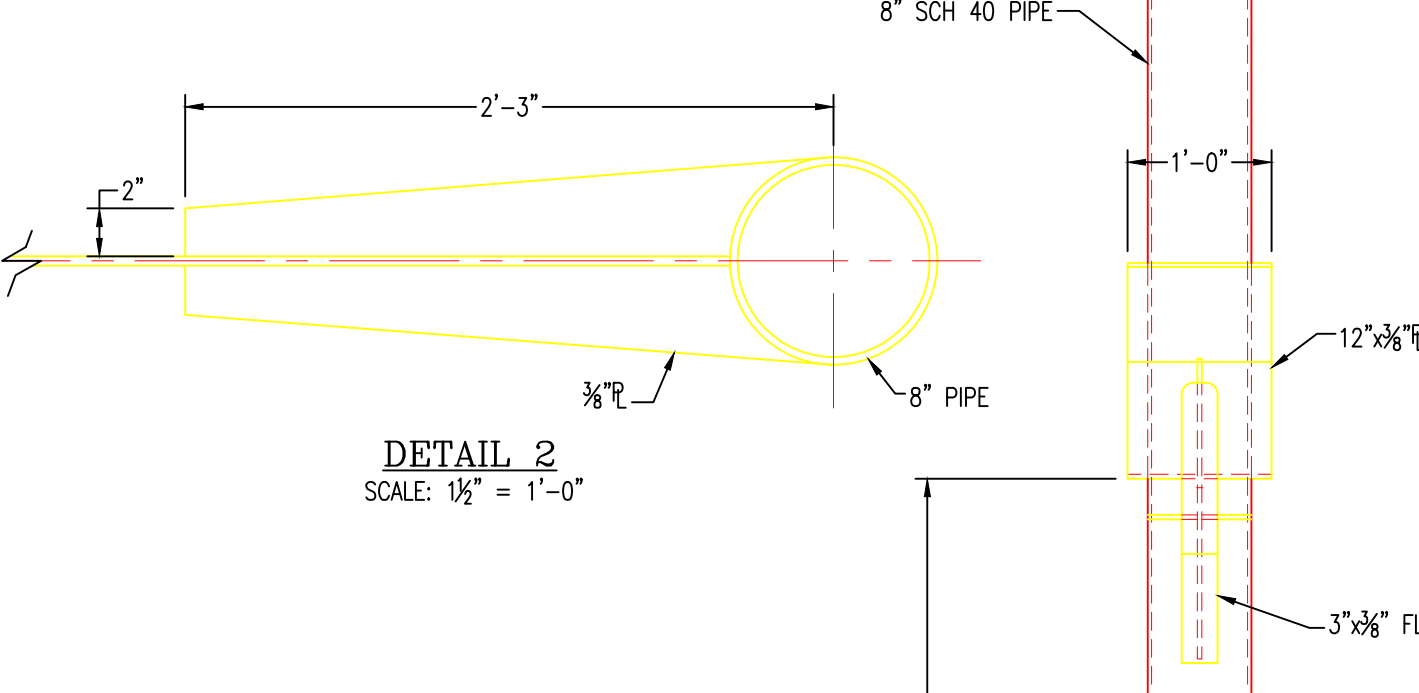
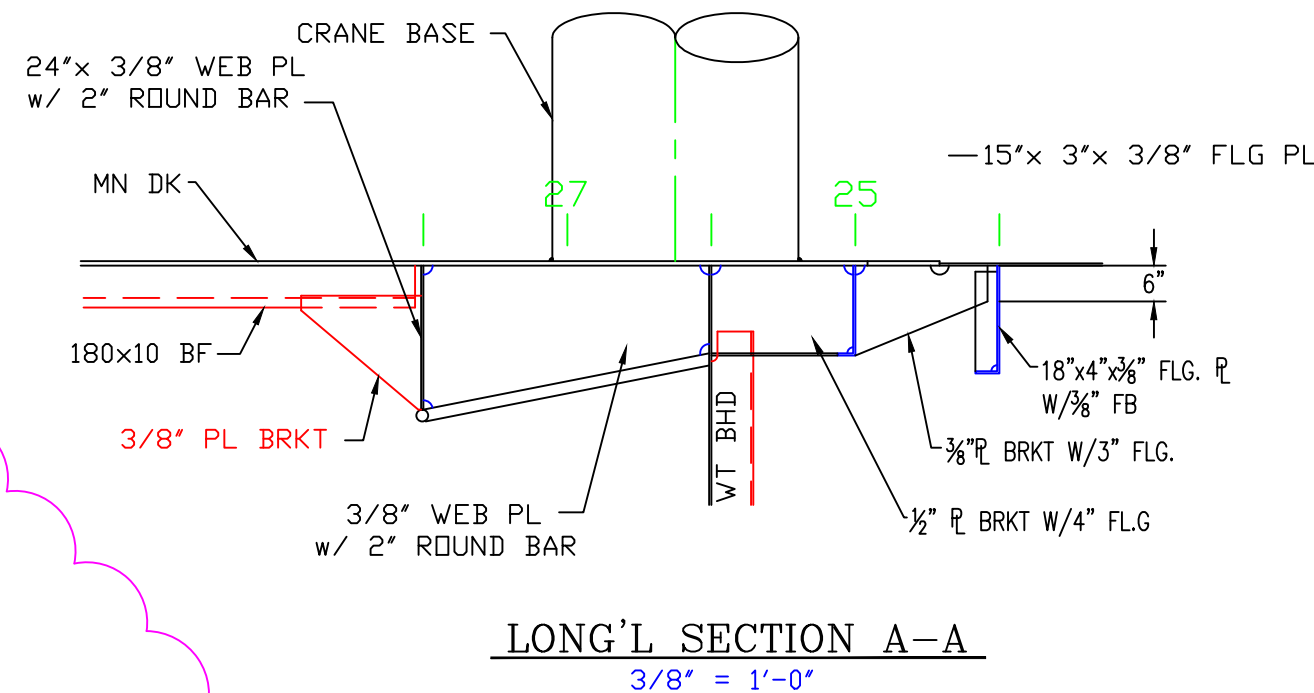
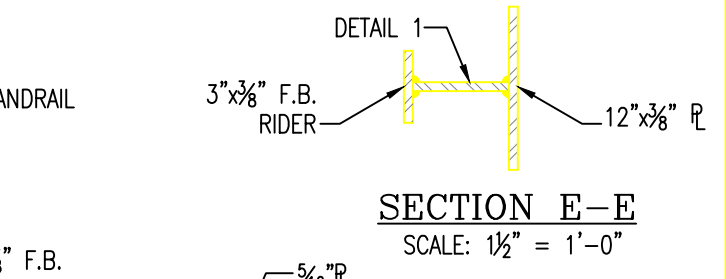
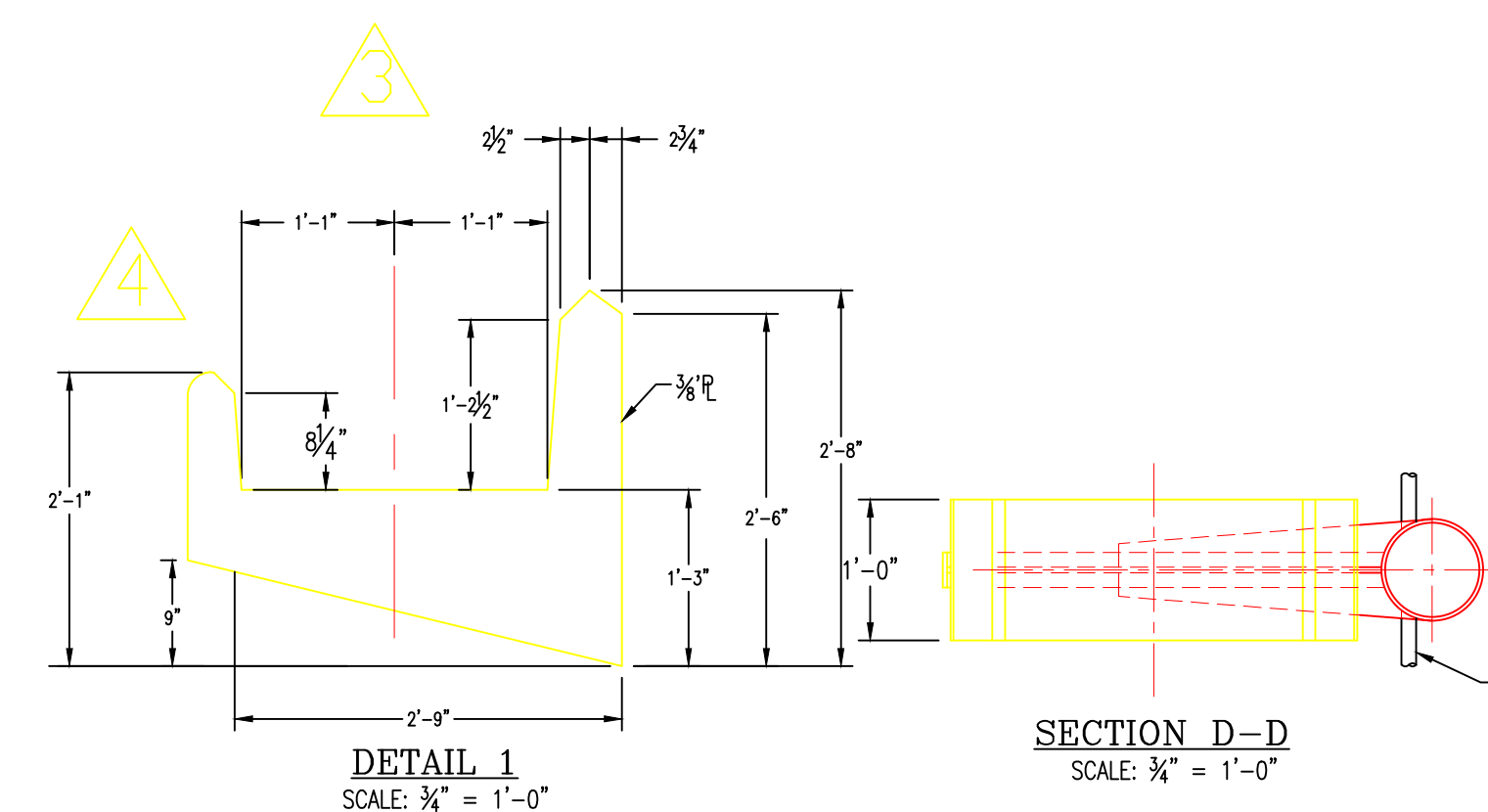
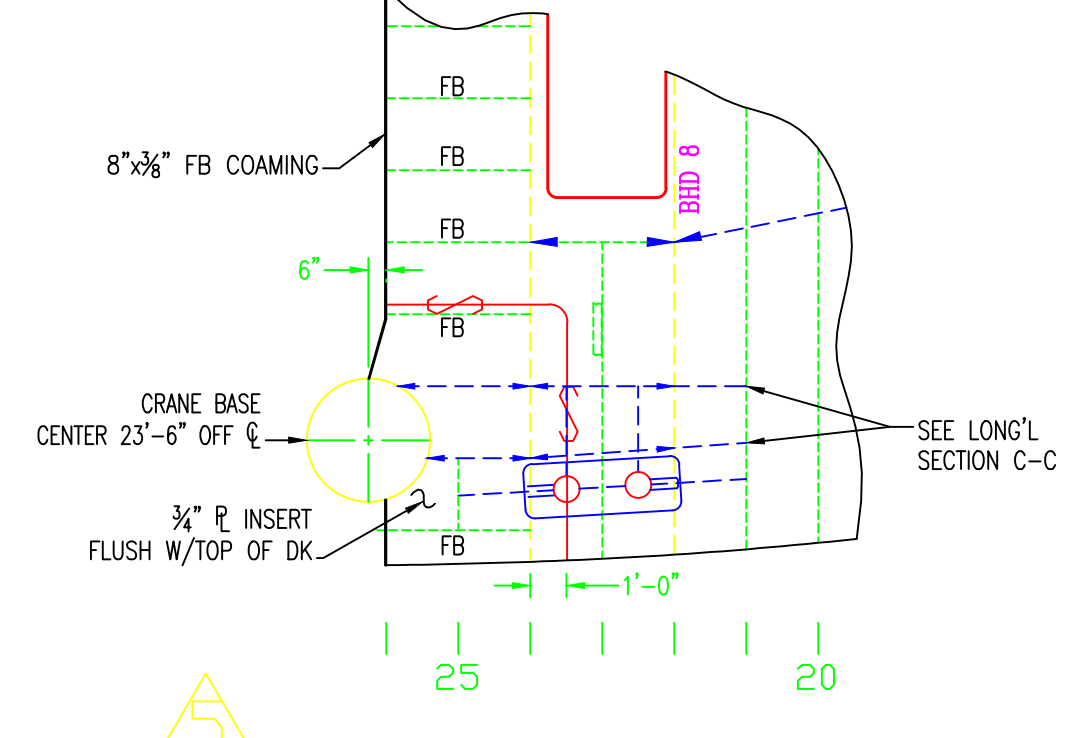
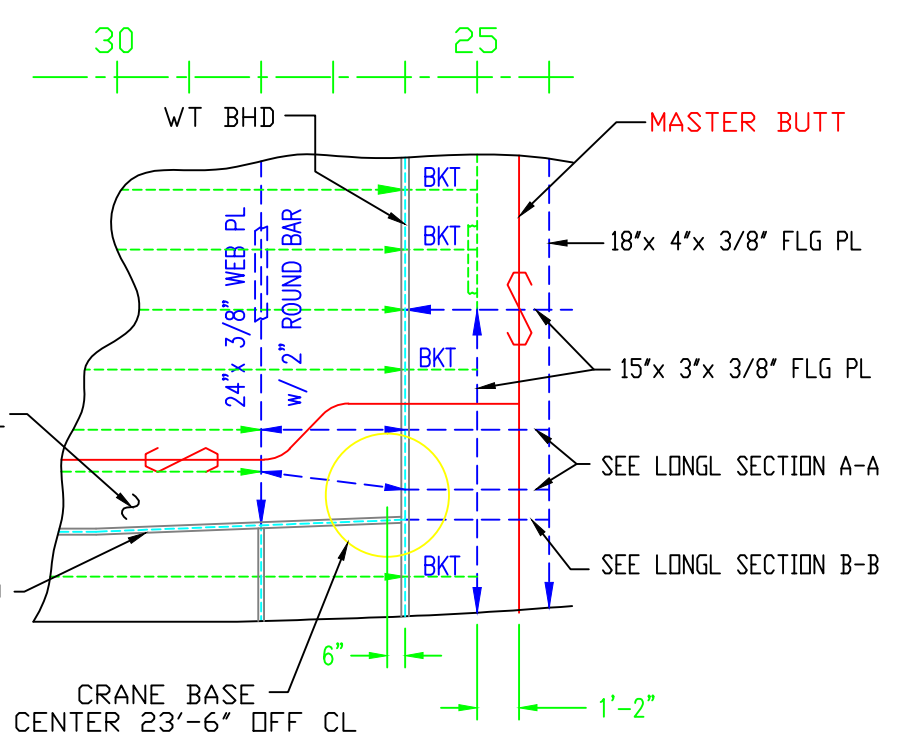
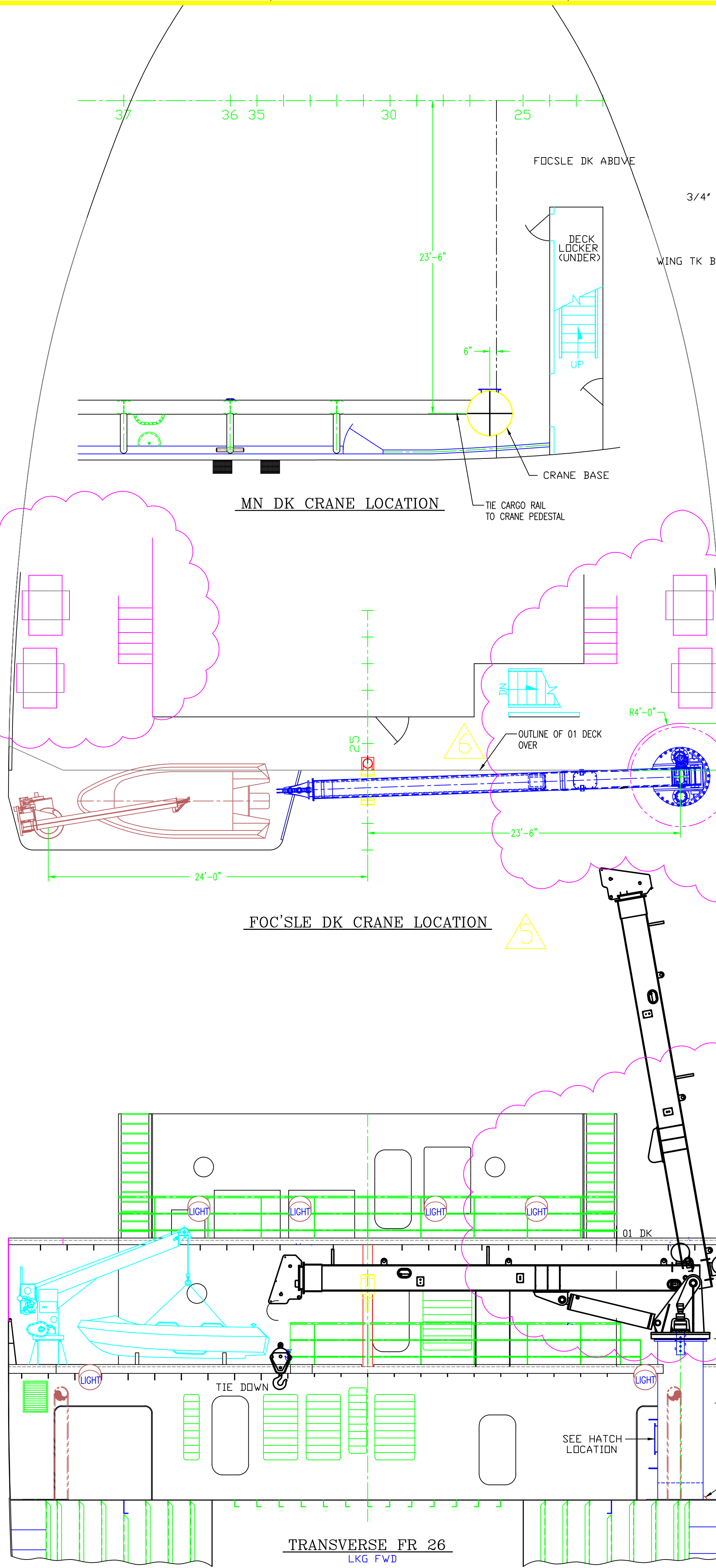
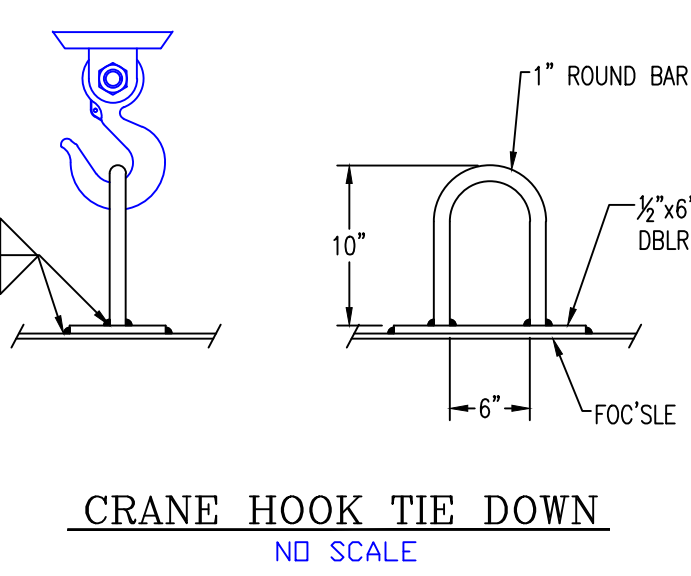
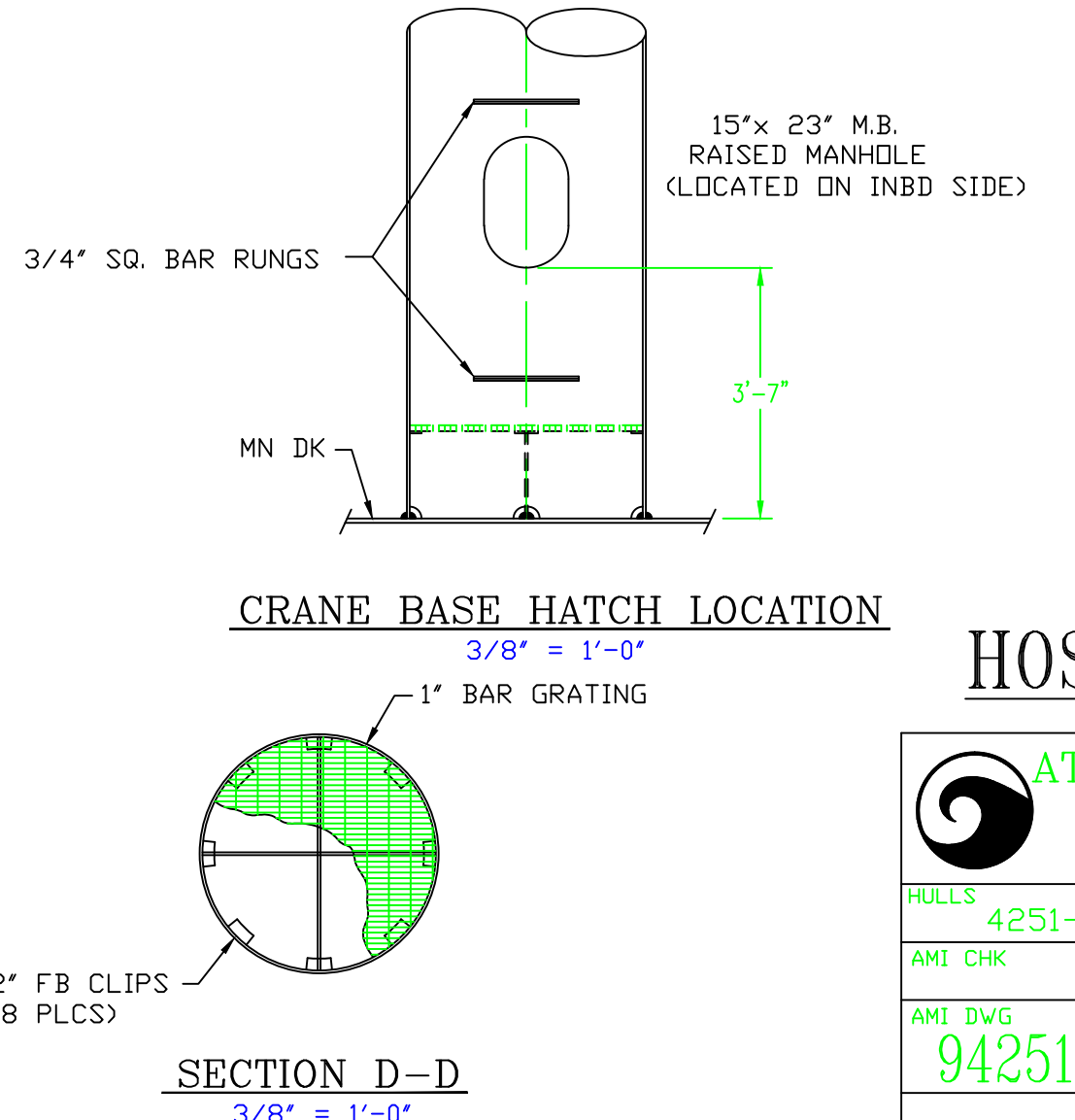
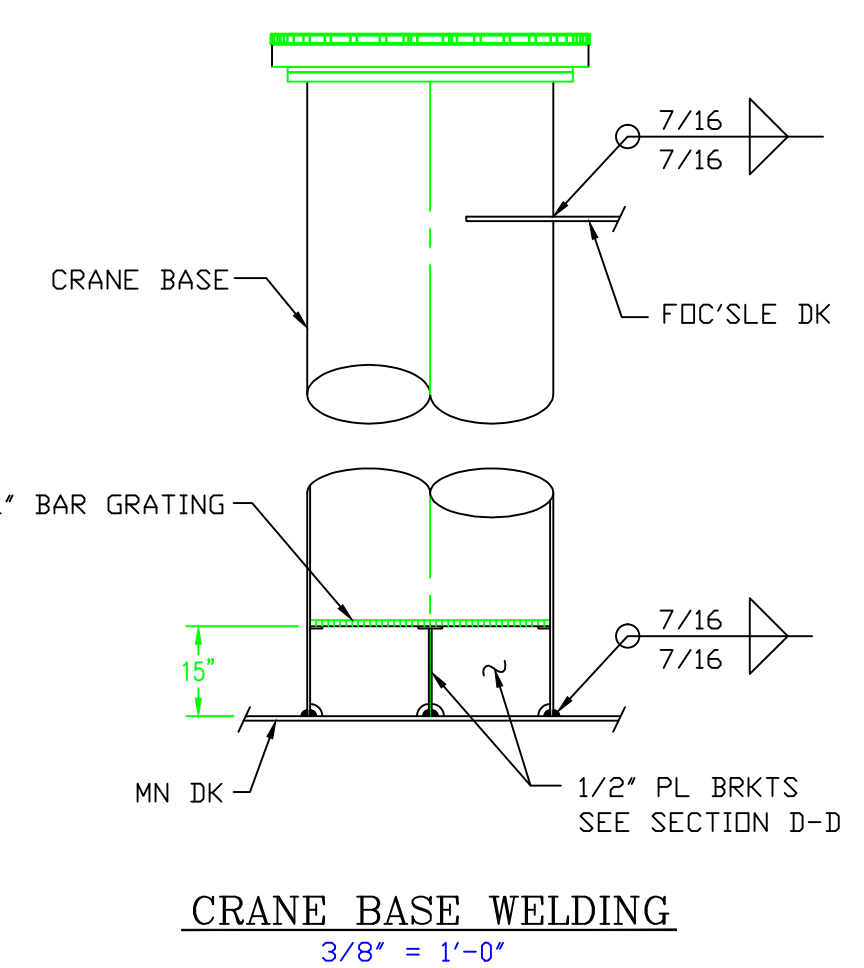
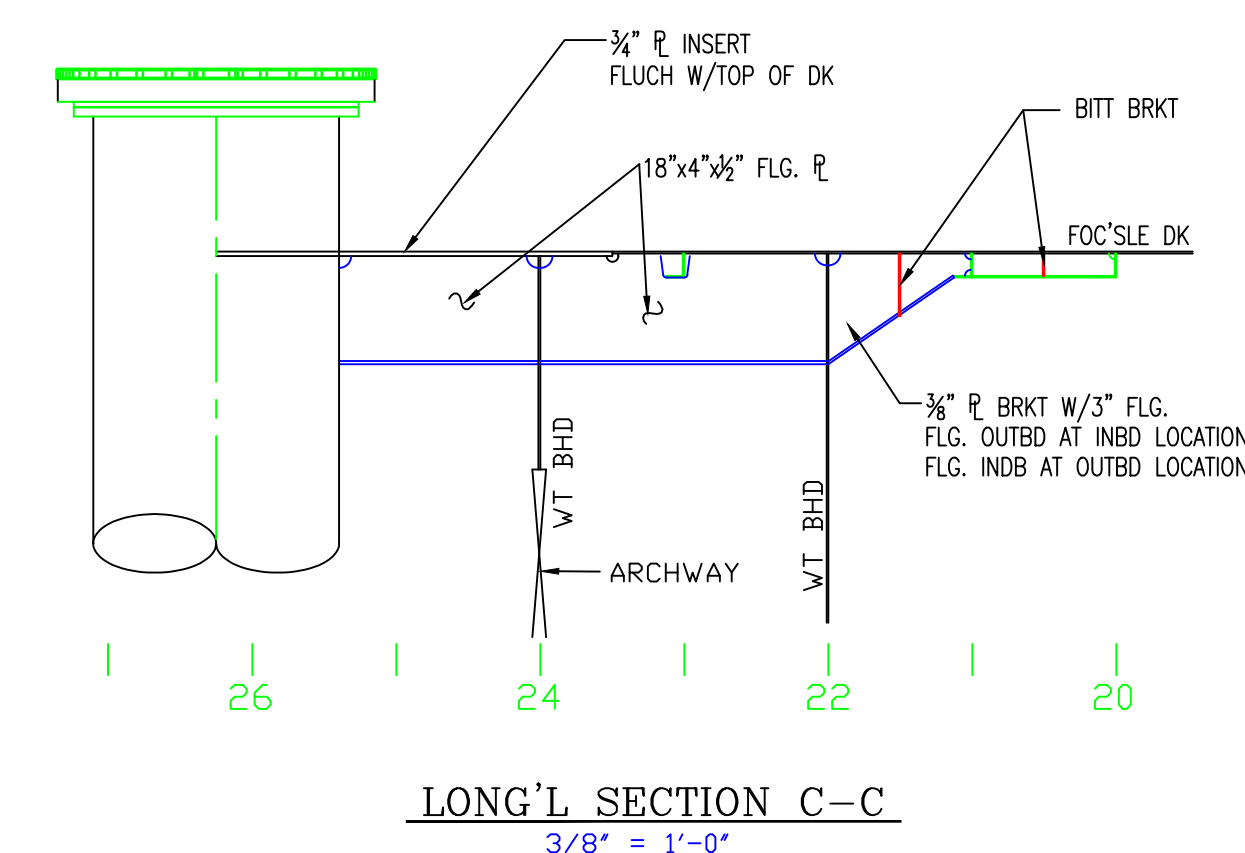


REVISIONS		
REV	DESCRIPTION	DATE
1	ADDED CRANE BOOM REST	01/17/08 T.M. L.S.
2	MODIFIED THE RESCUE BOAT DAVIT LOCATION.	01/25/08 T.M. L.S.
3	MODIFIED CRANE BOOM REST TO SUIT ACTUAL BOOM WIDTH.	01/30/08 A.R.(AMF)
4	LOWERED AFT EDGE OF THE BOOM REST TO ALLOW MOVEMENT OF CRANE ARM	04/15/08 A.R.(AMF)
5	MODIFIED FOC'SLE TO MATCH HOS 250-EDF	09/15/08 A.R.B.(DEC)
6	OUTLINE OF 01 DECK ADDED	01/21/09
7	CORRECTED VIEW OF CRANE/MODIFIED STRUCTURE IN WAY OF TOP OF CRANE.	02/17/09



**\*\*\*NOTE**  
ALL CRANE SUPPORTS TO BE WELDED 1/4 DBL CONTINUOUS



**REFERENCES**

1. OUTBOARD PROFILE & GENERAL ARRANGEMENT DWG. 1.001
2. MAIN DECK SCANTLINGS DWG. 2.201.
3. MAIN DECK SUPERSTRUCTURE DWG. 2.601
4. RESCUE BOAT DAVIT FOUNDATION DETAILS DWG. 3.503
5. HYDRA-PRO, INC. CRANE DWG. MB-05757

**GENERAL NOTES:**

1. ALL WELDING TO BE AS PER ABS RULES AND TO DEVELOP FULL STRENGTH OF STRUCTURAL MATERIAL, TO SURVEYORS SATISFACTION.
2. ALL MATERIALS TO BE MILD STEEL ABS, GRADE A WITH A MINIMUM YIELD STRESS OF 34 KIPS PER SQUARE INCH EXCEPT FOR SHEER STRAKE IN MIDBODY, TO SURVEYORS SATISFACTION.
3. FIT-UP AND WELD TO THE SATISFACTION OF THE ATTENDING SURVEYOR.
4. ALL NEW STRUCTURE TO BE PREPARED AND COATED ACCORDING TO SPECIFICATIONS, SECTION 13.
5. SHIPS STRUCTURAL SUPPORT DESIGNED FOR CRANE OVERTURNING MOMENT OF 450,000 LB/FT AND AXIAL FORCE OF 57,000 LBS.

**HOS 240-EDQ**

**ATLANTIC MARINE FLORIDA, LLC**  
JACKSONVILLE, FL

HULLS 4251-4252 AMI JOB 94251  
AMI CHK APPROV FOR RELEASE  
AMI DWG 94251-C03-502 REV B  
SHEET 1 OF 1

**HORNBECK OFFSHORE SERVICES**

DRAWN BY: JONATHAN LEJEUNE 240'-0" X 54'-0" 19'-0"  
CHK'D. BY: MIKE JANNISE CRANE LAYOUT & DETAILS  
APP'D. BY: SCALE: 3/16" = 1'-0" DATE: 09-11-2008 REV. 7  
PROJECT # 1362 DRAWING # 3.502 SHEET 1 OF 1