

8

7

6

5

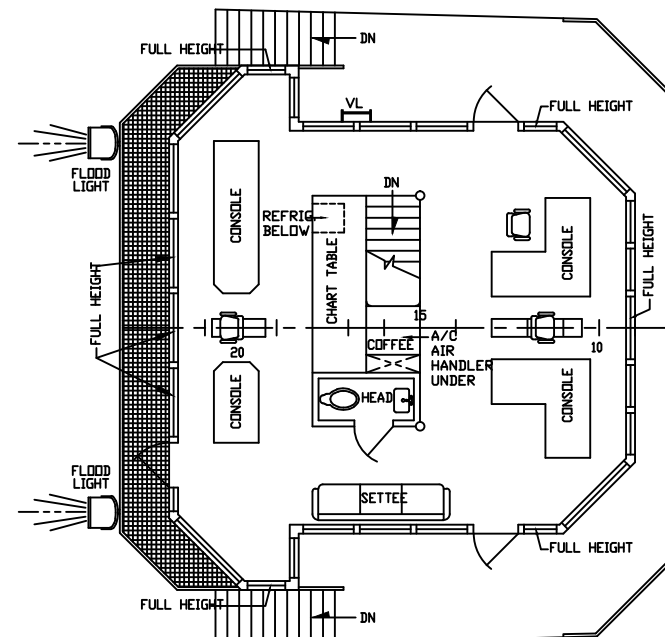
4

3

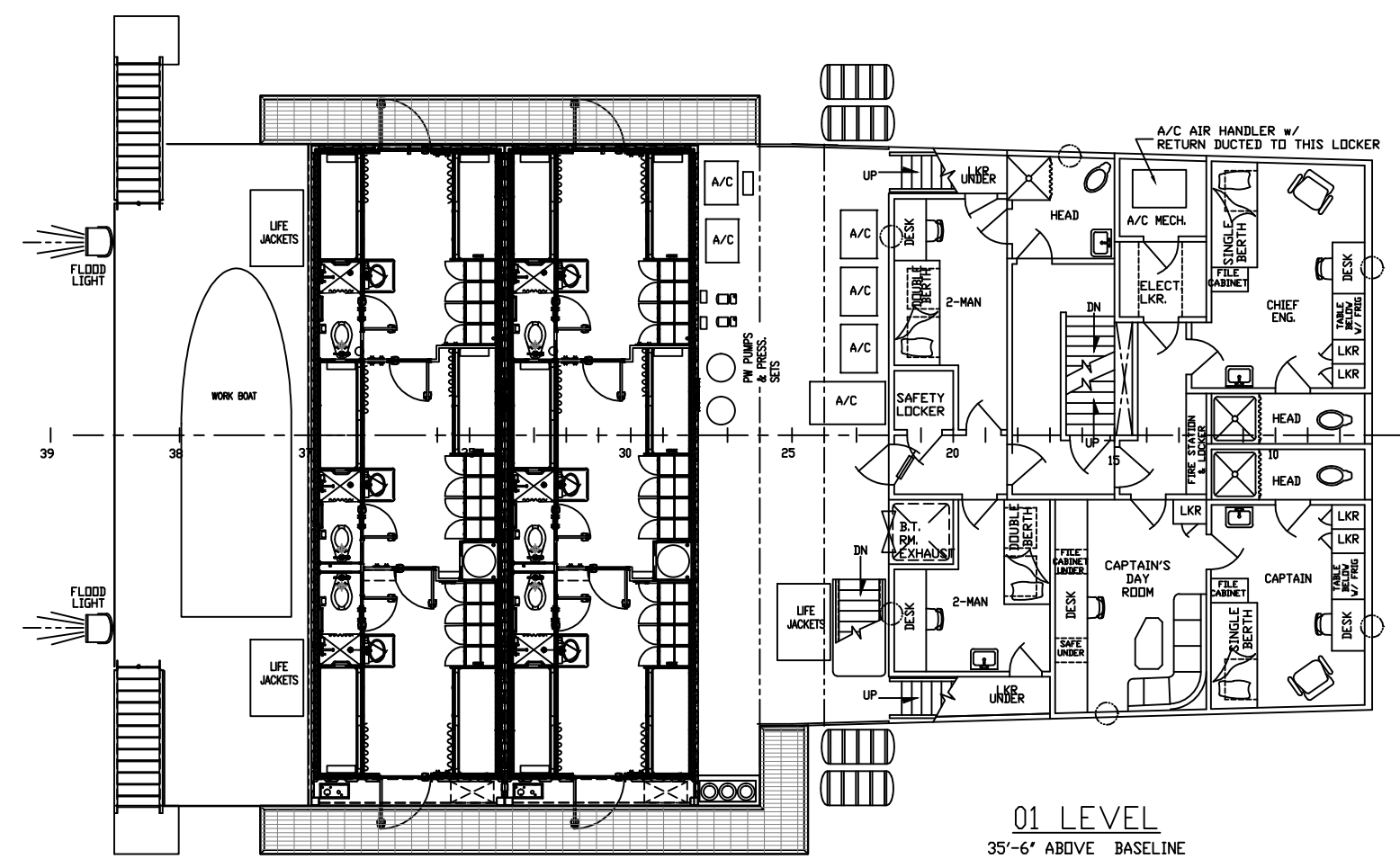
2

1

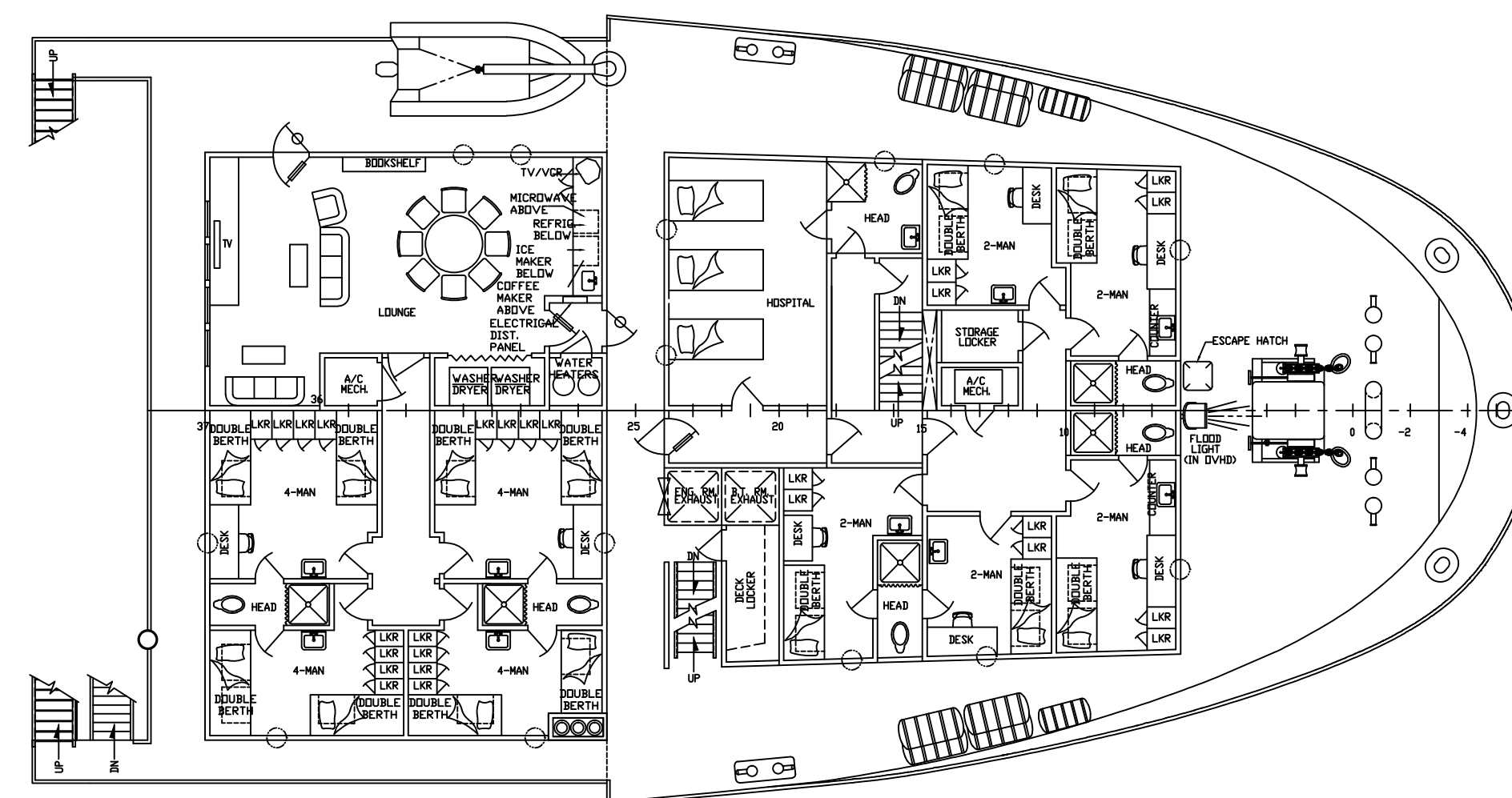
REVISIONS			REVISIONS		
REV	DESCRIPTION	DATE	REV	DESCRIPTION	DATE
14	ADDED CRANE AND O1 DK EXTENSION	2-8-11	1	REVISED AS PER OWNER ADDED NEW QUARTERS & CHANGED ARRGT ON MN DK	10-1-01
			7	REVISED AS PER OWNER REQUEST	10-30-01
			8	REVISED NEW QUARTERS ADDED BT EXHAUST STACK	11-28-01
			9	REVISED MAIN DECK LAYOUT AND REVISED HOSPITAL	12-12-01
			10	ADDED A-FRAME BOOM	1-17-02
			11	AS BUILTS	4-12-02
			12	DEMOLIBIZED SONSUB	3-3-06
			13	SHOW ESCAPE HATCH AT FR. 33 FOC LVL ADDED LIFERAFT ON FOC' LVL REMOVED TIRE FENDERING ADD D-FENDERING	1-27-10



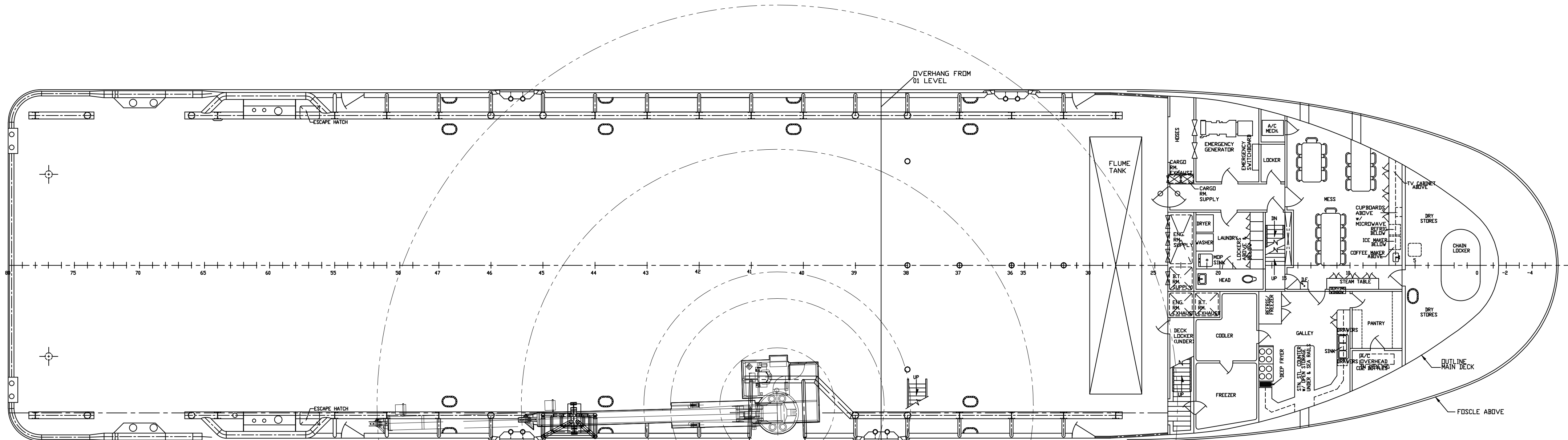
BRIDGE  
45'-0" ABOVE BASELINE



O1 LEVEL  
35'-6" ABOVE BASELINE



FOCUSLE DECK  
25'-0" ABOVE BASELINE



MAIN DECK  
16'-0" ABOVE BASELINE

MIN. RAD. 24m, RETRACTED  
R8'-10" (2.7m)  
3'-4" FROM SIDE SHELL

MIN. RAD. 24m, RETRACTED  
R16'-5" (5.0m)  
10'-11" FROM SIDE SHELL

MIN. RAD. 19.5m, RETRACTED  
R20'-5" (6.2m)  
15'-0" FROM SIDE SHELL

10m, RETRACTED  
R39'-4" (11.9m)  
35'-10" FROM SIDE SHELL

6m, EXTENDED  
R61'-8" (18.7m)  
54'-0" FROM SIDE SHELL

THIS DRAWING, DESIGN CONCEPT AND SPECIFICATIONS ARE THE PROPERTY OF HORNBECK OFFSHORE SERVICES AND ARE FURNISHED ON A CONFIDENTIAL BASIS WITH AN EXPRESSED UNDERSTANDING THAT THEY WILL NOT BE COPIED IN ANY MANNER USED FOR MANUFACTURE, SOLD, TRANSFERRED, NOR USED TO THE DETRIMENT OF SAID FIRM WITHOUT WRITTEN PERMISSION. HOS ©

**HORNBECK OFFSHORE SERVICES**

DRAWN BY: JONATHAN LEJEUNE 240'-0" X 54'-0" X 17'-0" OSV

CH'KD. BY: MIKE JANNISE GENERAL ARRANGEMENTS

APP'D. BY: SCALE: 3/32" = 1'-0" DATE: 4-7-2000 REV. 14

APP'D. BY: DRAWING # 1.001A LVI HULL #329 SHEET 1 OF 1

8

7

6

5

4

3

2

1