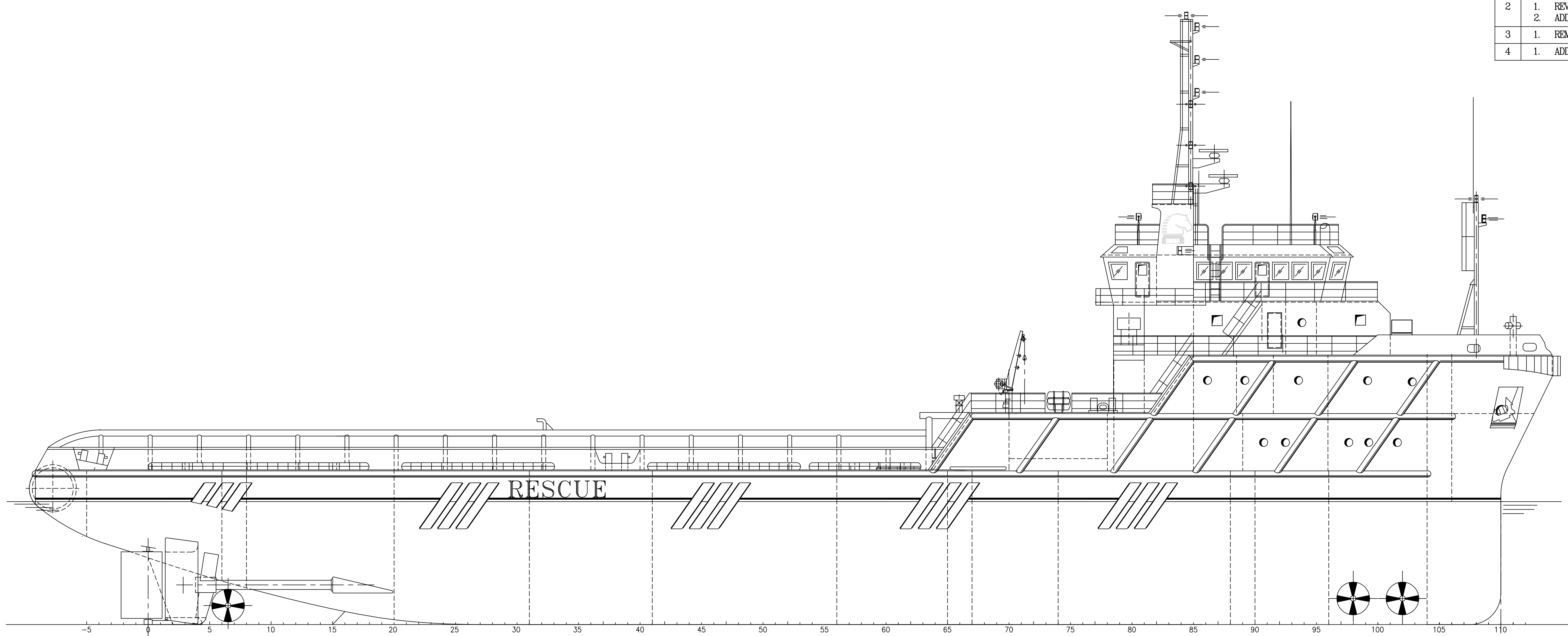
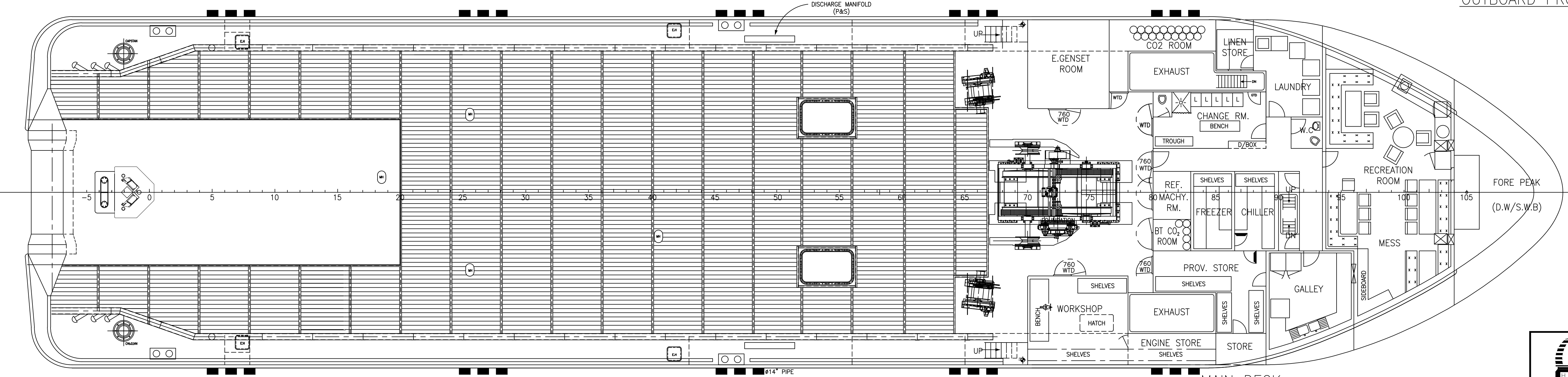


8 7 6 5 4 3 2 1

REVISIONS			
REV	DESCRIPTION	BY	DATE
1	1. ADDRESSED BY COMMENTS 2. ADDED VERTICAL LADDER TO PORT SIDE 3. REVISED DECKING ARRANGEMENT	MGS	08/02/16
2	1. REVISED BIT LOCATION 2. ADDED MAIN DECK CARGO HATCHES	MGS	09/14/16
3	1. REMOVED ANCHOR HANDLING WINCH	MGS	03/28/17
4	1. ADDED ANCHOR HANDLING WINCH	MGS	04/20/17



OUTBOARD PROFILE



MAIN DECK

HOS SAYLOR

HORNBECK OFFSHORE SERVICES

THIS DRAWING, DESIGN CONCEPT AND SPECIFICATIONS ARE THE PROPERTY OF HORNBECK OFFSHORE SERVICES AND ARE FURNISHED ON A CONFIDENTIAL BASIS WITH AN EXPRESSED UNDERSTANDING THAT THEY WILL NOT BE COPIED IN ANY MANNER USED FOR MANUFACTURE, SOLD, TRANSFERRED, NOR USED TO THE DETRIMENT OF SAID FIRM WITHOUT WRITTEN PERMISSION. 1008 ©

DRAWN BY: MGS	74m A/H SUPPLY VESSEL		
CHK'D. BY: PAL	GENERAL ARRANGEMENT AND PROFILE		
APP'D. BY: PAL	SCALE: NTS DRAWING # 1.001	DATE: 6/21/16 HULL# PMI-300	REV. 4
TASK # 6355	SHEET 1 OF 2		

8 7 6 5 4 3 2 1

D

D

C

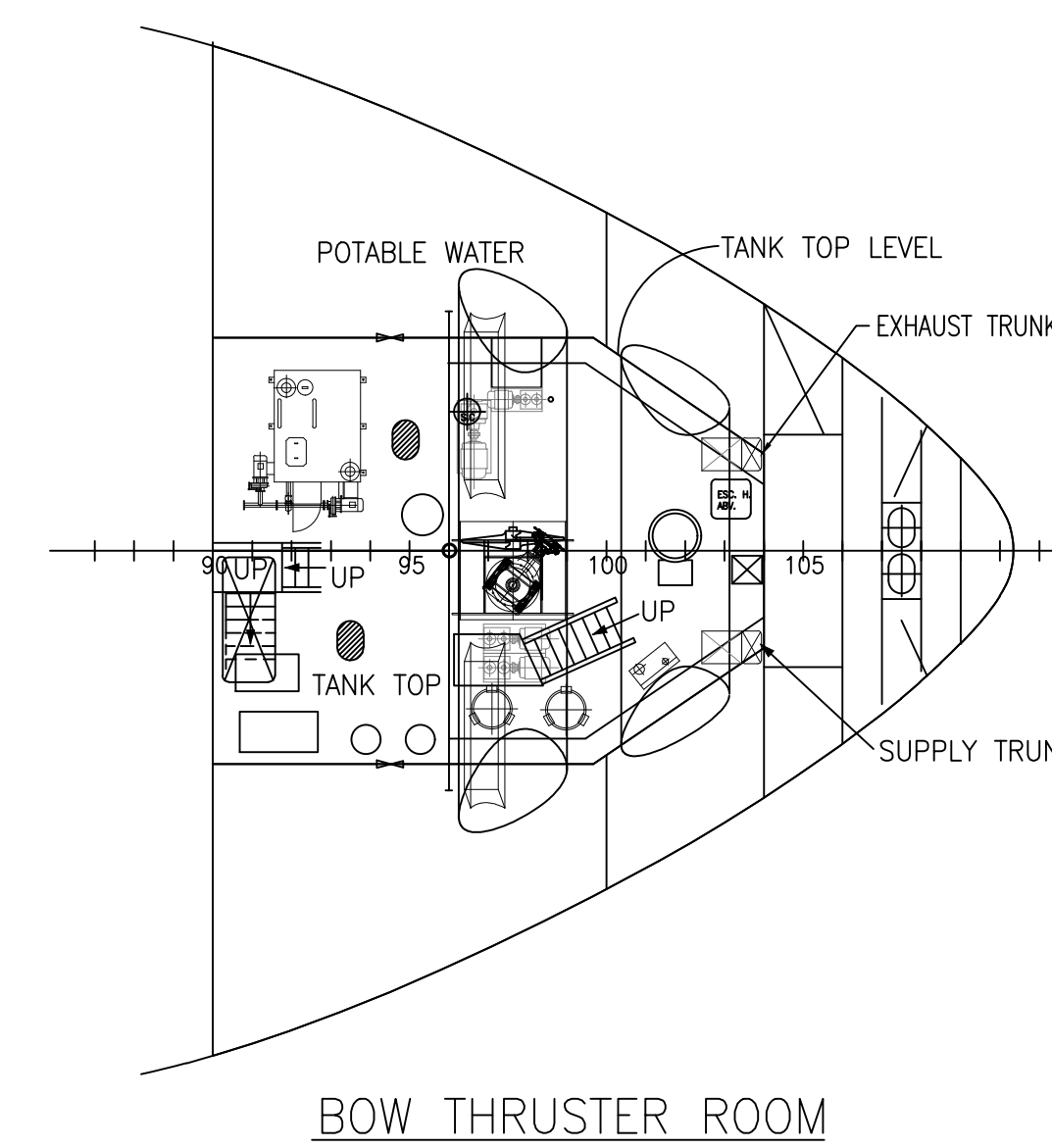
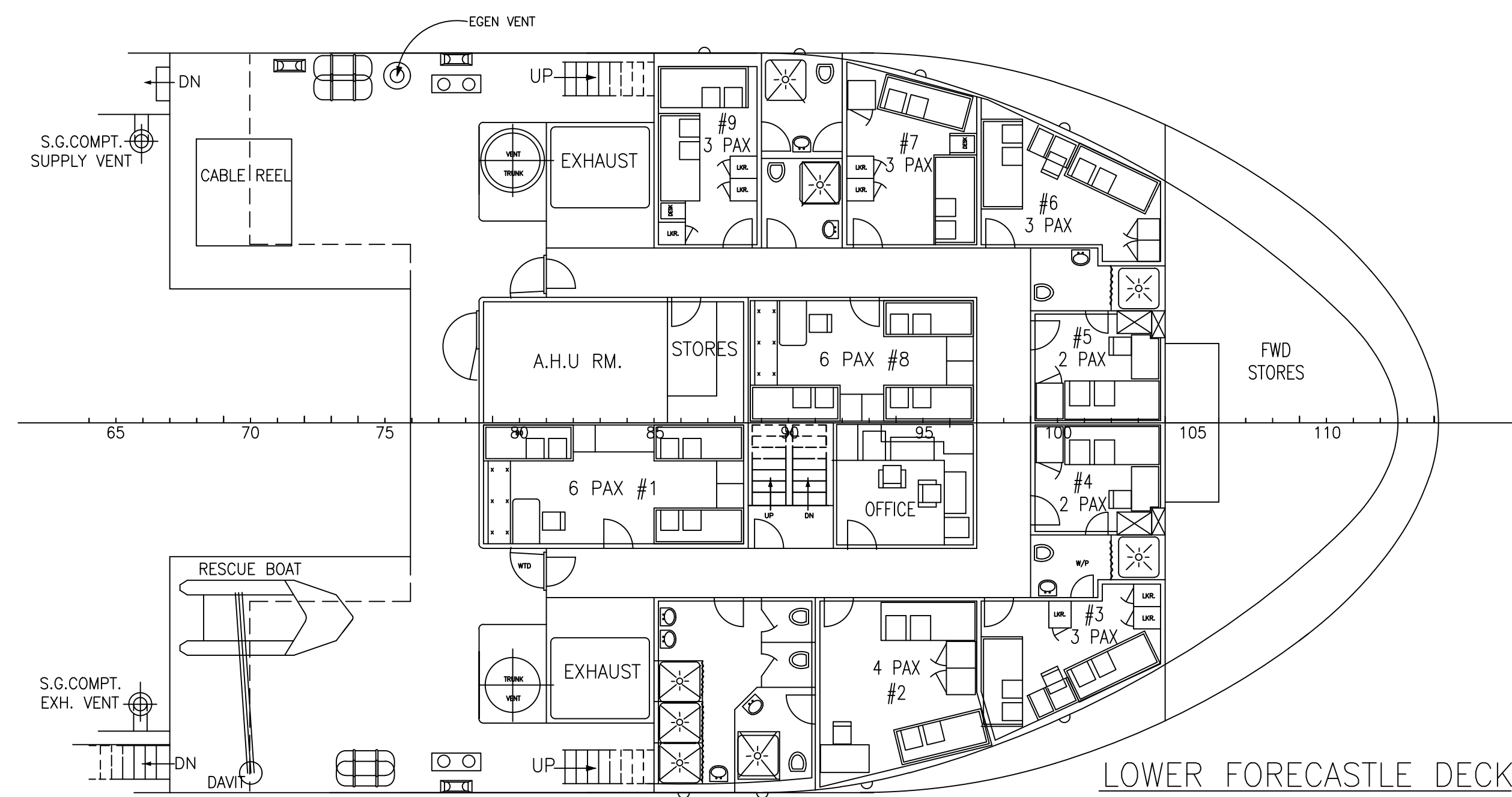
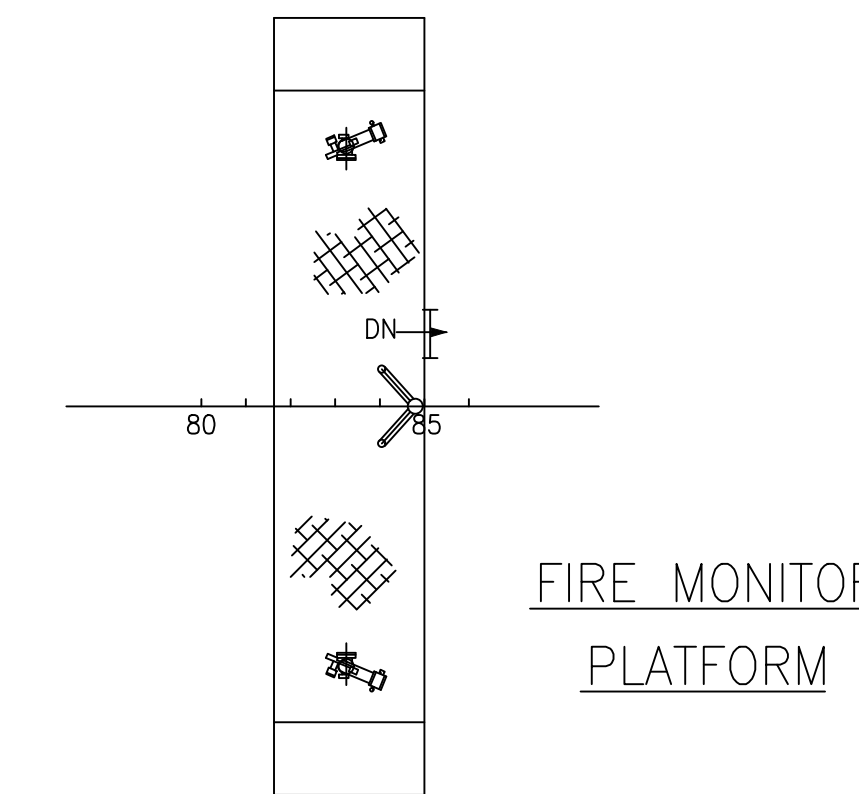
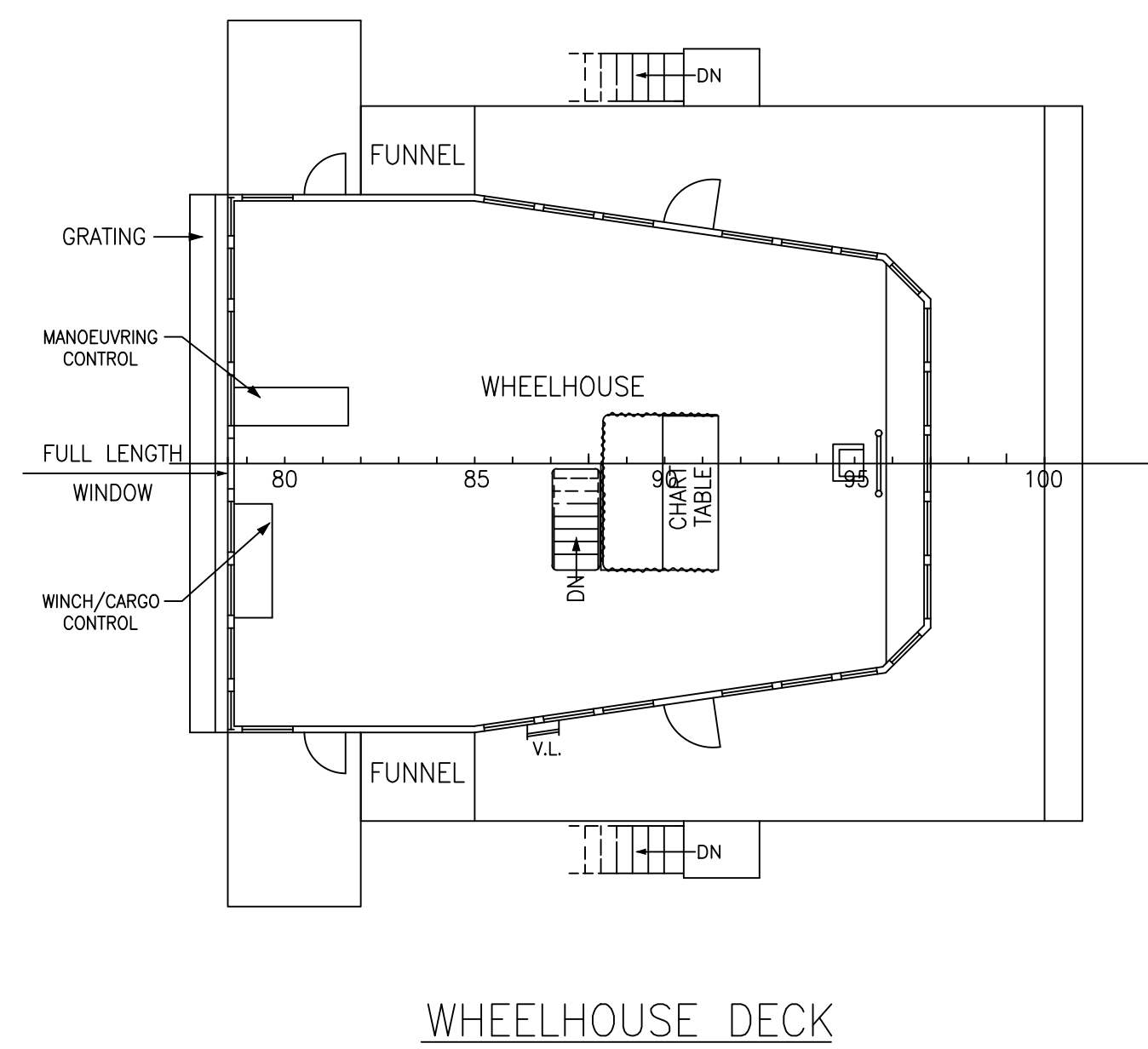
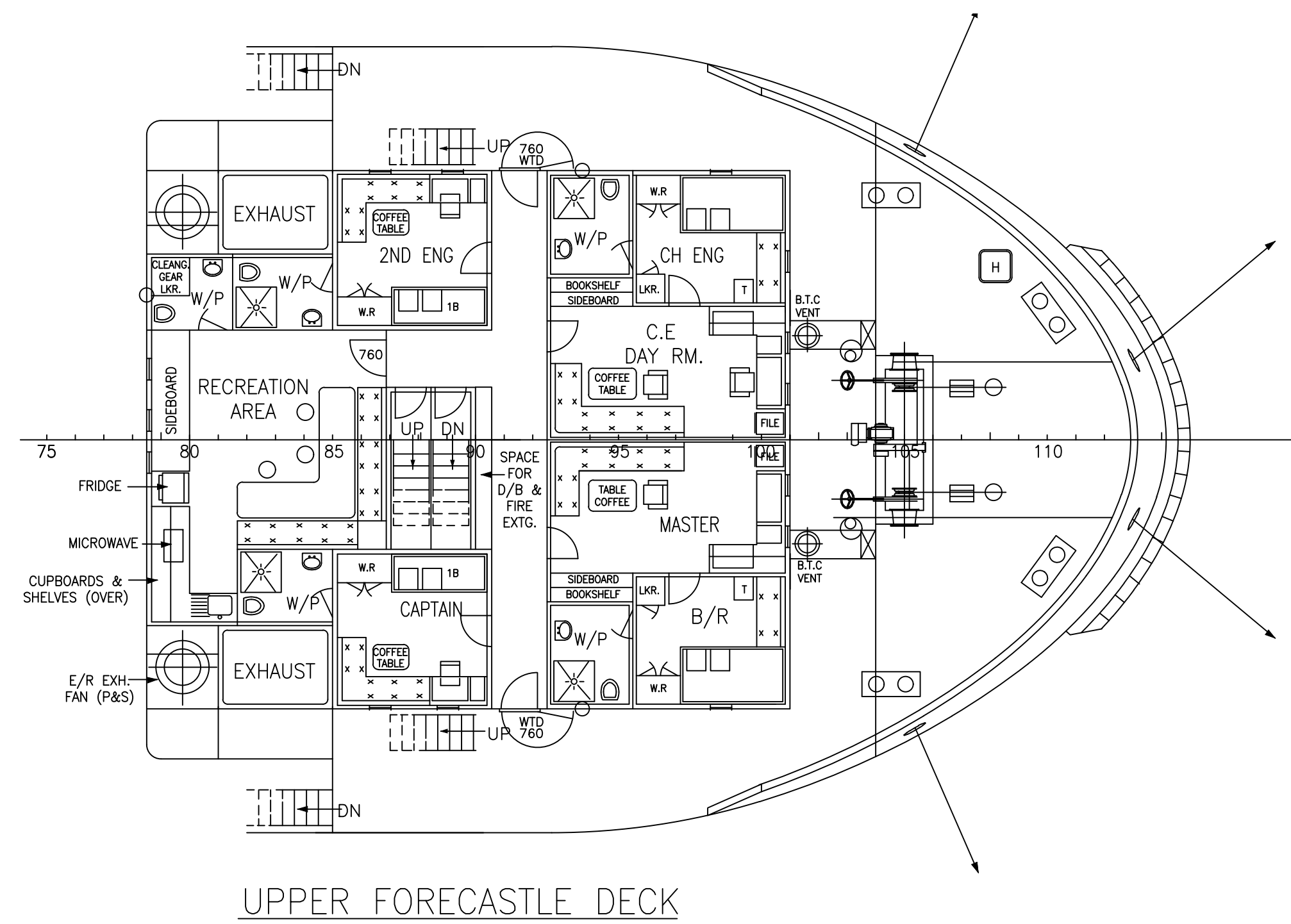
C


B

B

A

A



 <small>THIS DRAWING, DESIGN CONCEPT AND SPECIFICATIONS ARE THE PROPERTY OF HORNBECK OFFSHORE SERVICES AND ARE FURNISHED ON A CONFIDENTIAL BASIS WITH AN EXPRESSED UNDERSTANDING THAT THEY WILL NOT BE COPIED, IN ANY MANNER USED FOR MANUFACTURE, SOLD, TRANSFERRED, NOR USED TO THE DETRIMENT OF SAID FIRM WITHOUT WRITTEN PERMISSION. HOB 0</small>			
HORNBECK OFFSHORE SERVICES			
DRAWN BY:	74m A/H SUPPLY VESSEL		
MGS			
CHK'D. BY:	GENERAL ARRANGEMENT AND PROFILE		
PAL			
APP'D. BY:	SCALE: NTS	DATE: 6/21/16	REV.
PAL	DRAWING #	HULL# PMI-300	4
TASK #	1.001	SHEET 2 OF 2	
6355			