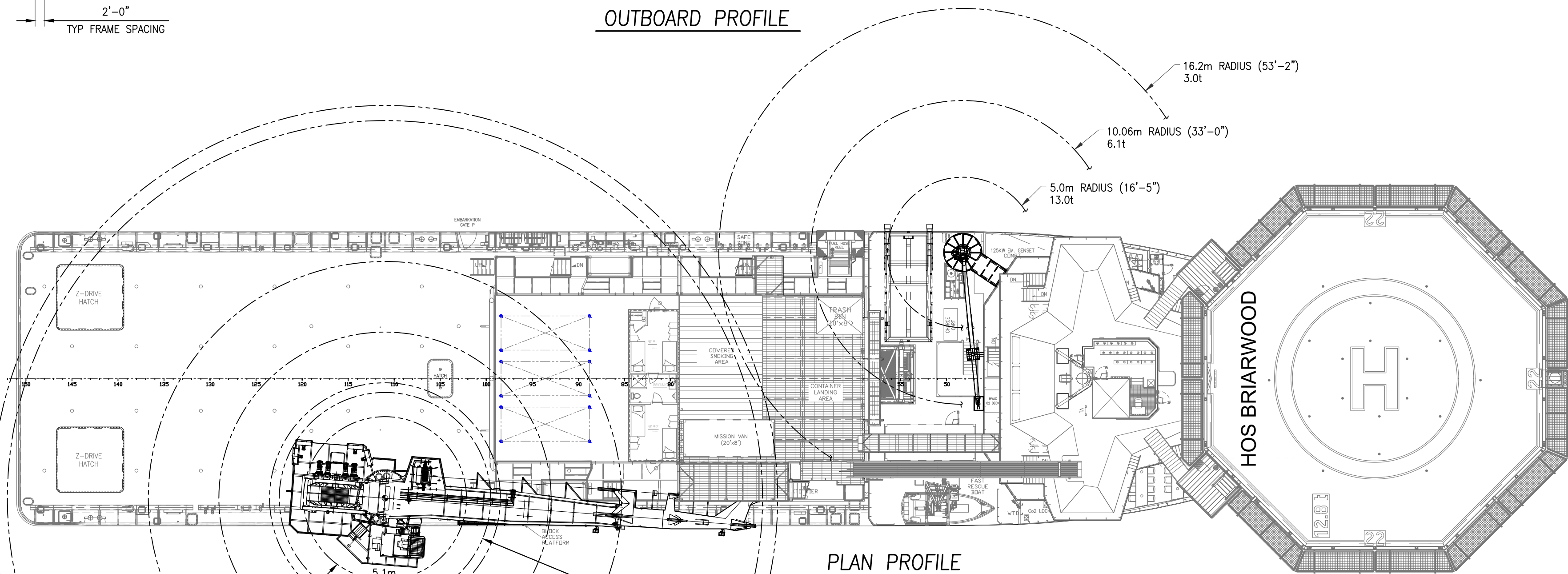
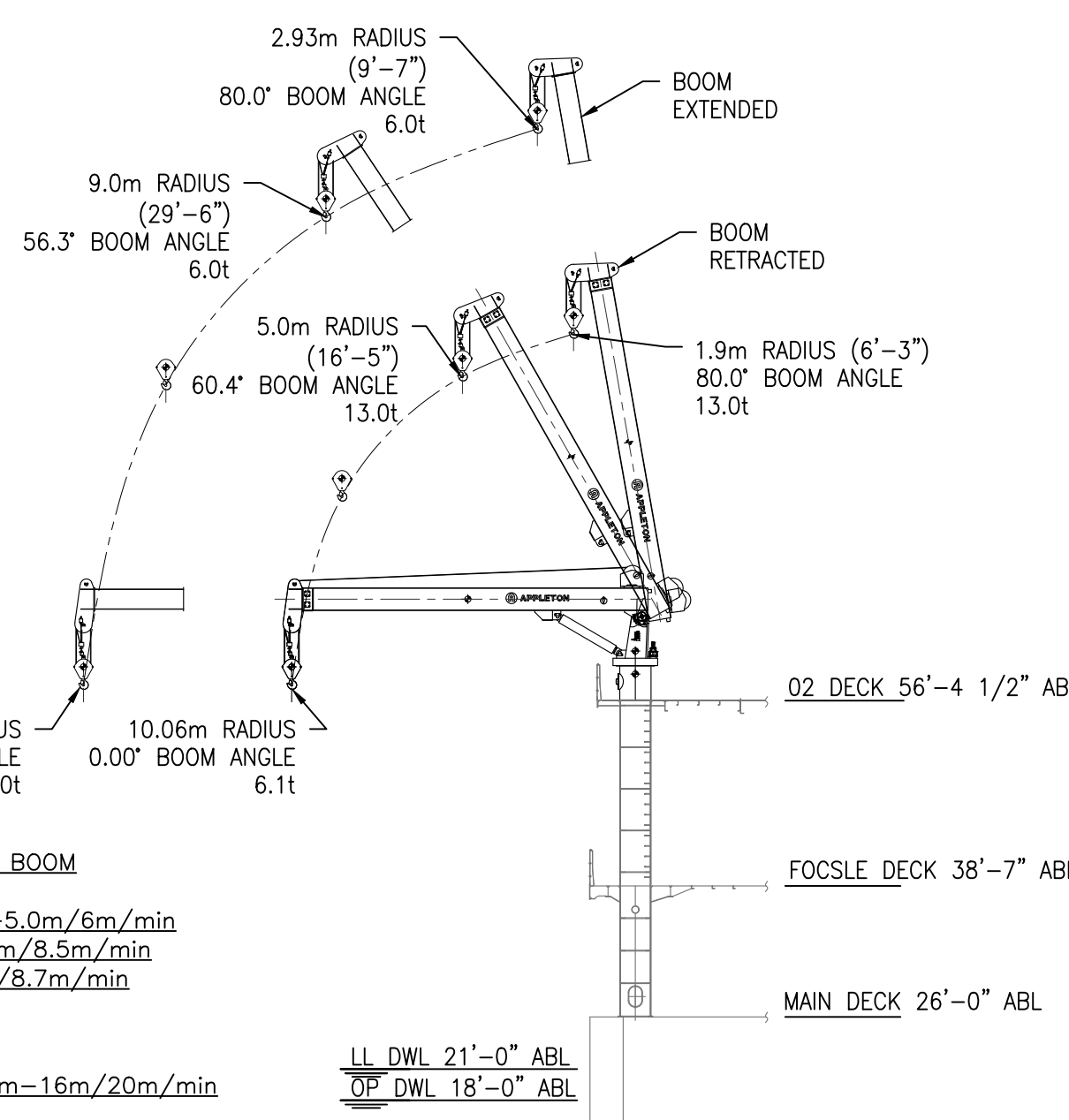


OUTBOARD PROFILE



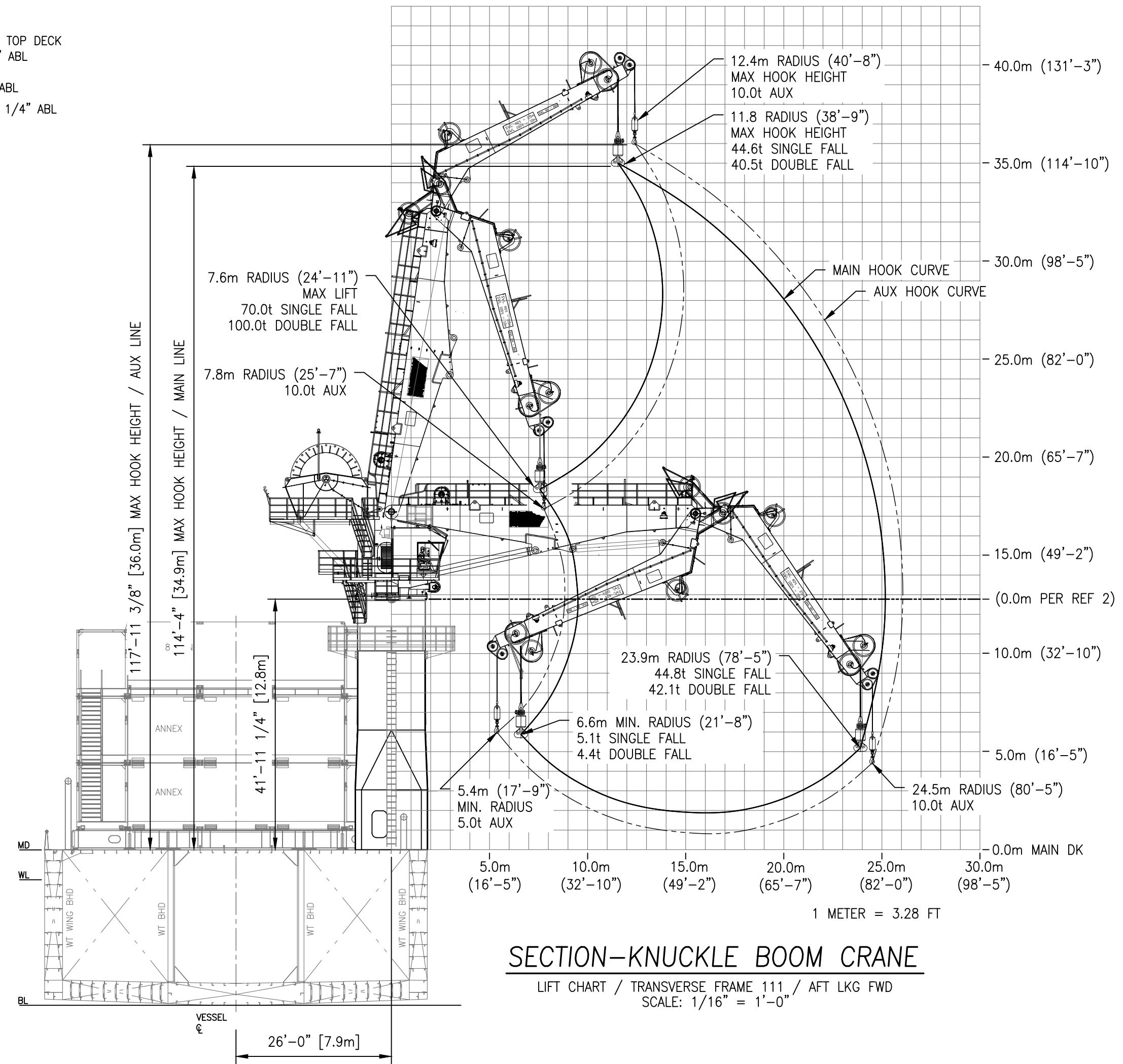
PLAN PROFILE



SECTION-STORES CRANE

STORES CRANE: 13t HYDRAULIC BOOM

MAIN HOIST (SINGLE FALL)	
S.W.L. (load/rad./speed)	13t/1.87-5.0m/6m/min
S.W.L. (load/rad./speed)	4.9t/11.0m/8.5m/min
S.W.L. (load/rad./speed)	3t/16.2m/8.7m/min
MINIMUM RADIUS	1.87m
MAXIMUM RADIUS	16.16m
WIRE LENGTH	132m
PERSONNEL RATING	0.6t/1.87m-16m/20m/min



SECTION-KNUCKLE BOOM CRANE

KNUCKLE BOOM CRANE: 100MT NATIONAL OILWELL KBC

MAIN HOOK (2 FALLS, INTERNAL LIFT)	
S.W.L. (load/rad.)	100t/7.6m-11m
MAIN HOOK (1 FALL, INTERNAL LIFT)	
S.W.L. (load/rad.)	70t/7.6m-15.7m
S.W.L. (load/rad.)	40t/25.0m
WIRE LENGTH	2000m
WHIP HOOK	
S.W.L. (load/rad.)	10t/7.0m-26.0m
MAN RATING	5.0t/7.0m-26.0m (AUX. HOOK)

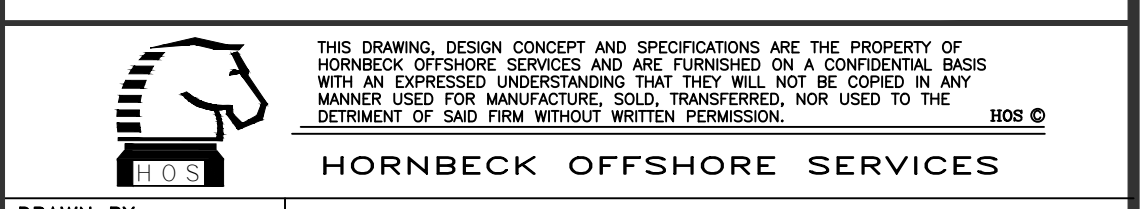
WATER DEPTH (METERS)	SINGLE FALL LIVE LOAD (PRODUCTIVE)	DOUBLE FALL LIVE LOAD (PRODUCTIVE)
400	64.5t	89.1t
800	59.1t	78.2t
1000	56.3t	72.7t
1200	53.6t	-
1600	48.2t	-
2000	42.7t	-

- NOTES:
1. WET WIRE WEIGHT IS CONSIDERED IN LIVE LOAD CAPACITY ABOVE.
 2. PRODUCTIVE LOAD IS THE MAX LOAD AT DEPTH.
 3. LOAD BOUANCY, DAMPING, AND GEOMETRY MAY AFFECT ULTIMATE RATING FOR ANY GIVEN SUBSEA LIFT.

NO.	TITLE	DRAWING NUMBER
7.	UNIT 8 (FR2 TO FR50)	205-110-008
6.	KBC PEDESTAL FOUNDATION	3.452
5.	CRANE MANUAL/LOAD CHART (APPLETON DECK CRANE)	19092
4.	CRANE DATA SHEET (NOV KBC)	V4742-Z-DS-001
3.	DERATING CHARTS (NOV KBC)	V4742-Z-RD-003B
2.	CRANE LOAD DIAGRAM (NOV KBC)	V4742-Z-RD-010B
1.	OUTBOARD PROFILE & GA	1.001

REFERENCES

HOSMAX 310EQH - HOS BRIARWOOD



DRAWN BY:	S. MAUL			302'-0" X 64'-0" X 26'-0"
CHECKED BY:	M. STANSBURY			CRANE & LIFTING ARRANGEMENT
APPROVED BY:	J. GUIDRY	TASK No. 6120	DRAWING No. 6.805	SCALE: AS NOTED
		HULL No. 210	SY: ESG	DATE: 11/15/19 SHEET 1 OF 1

6" AFT OF FR48 / LKG FWD
SCALE: 1/16" = 1'-0"