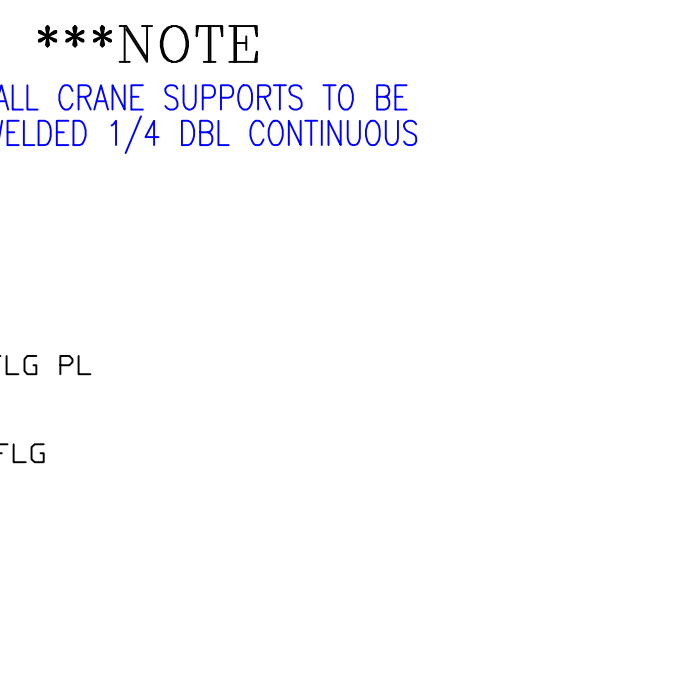
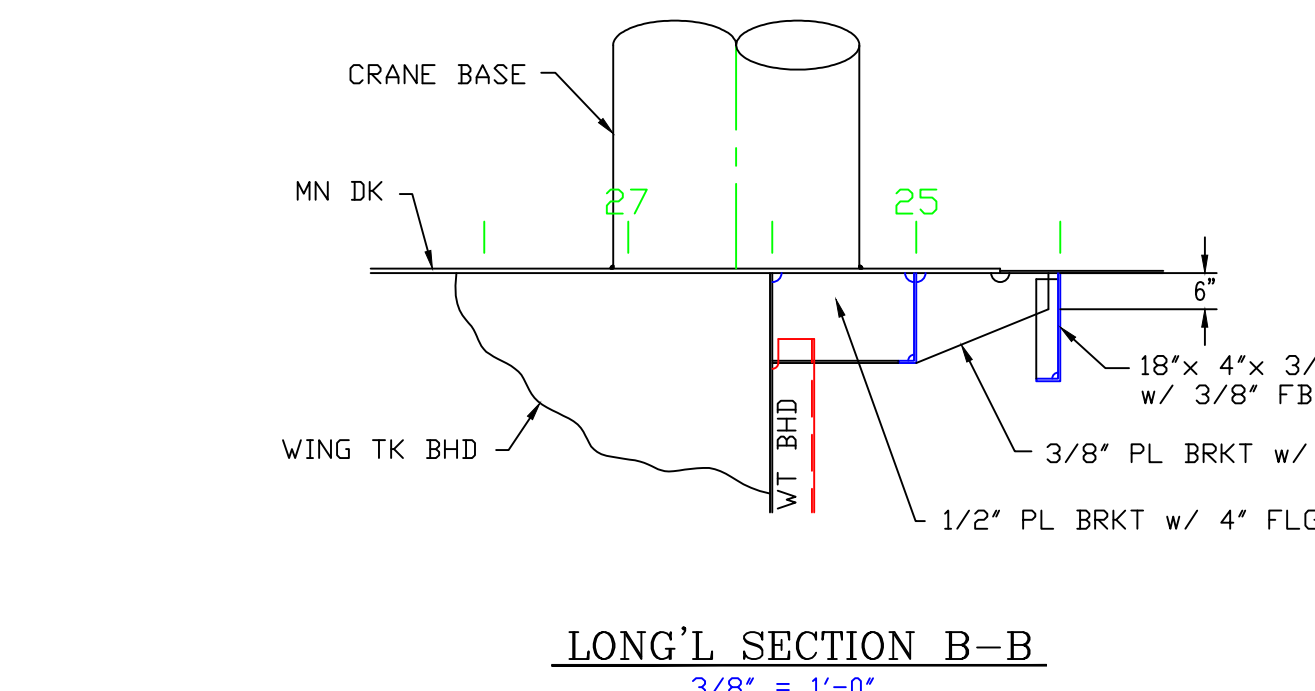
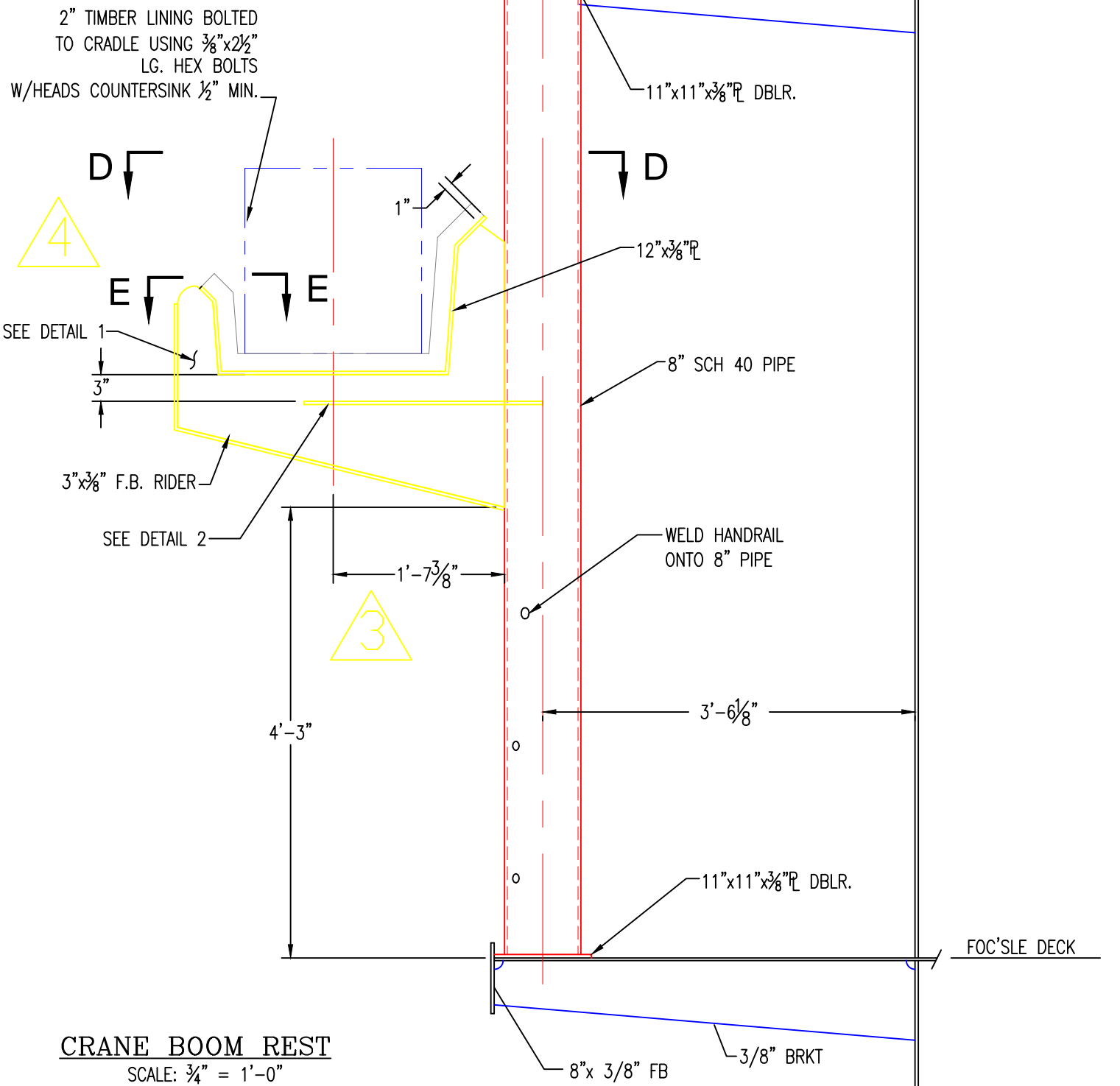
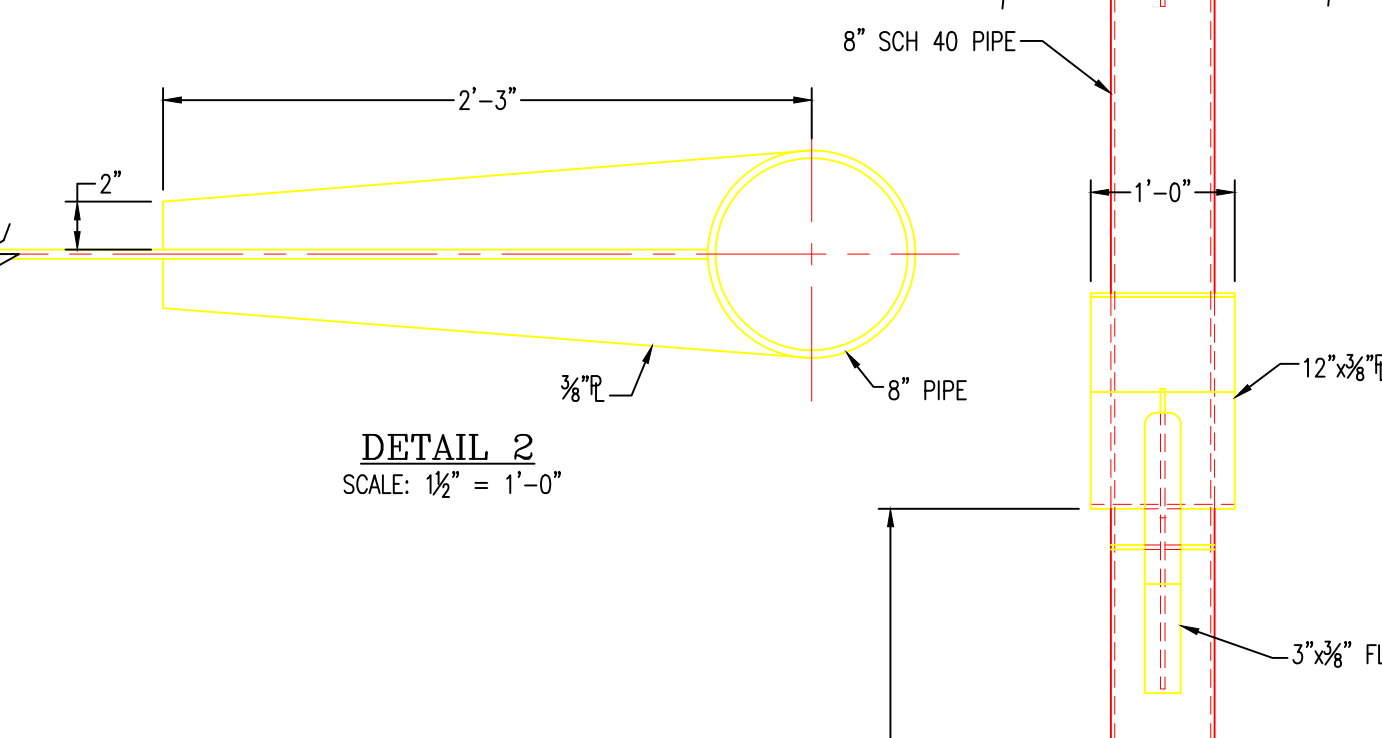
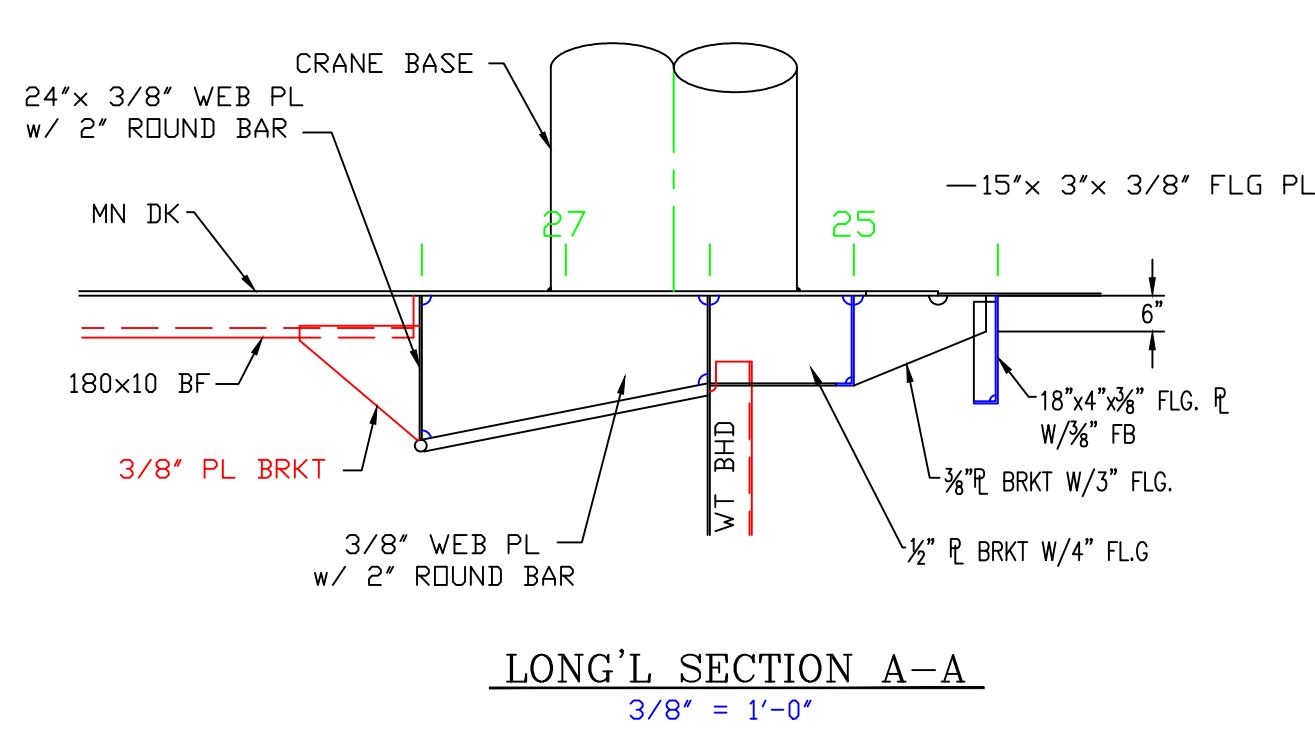
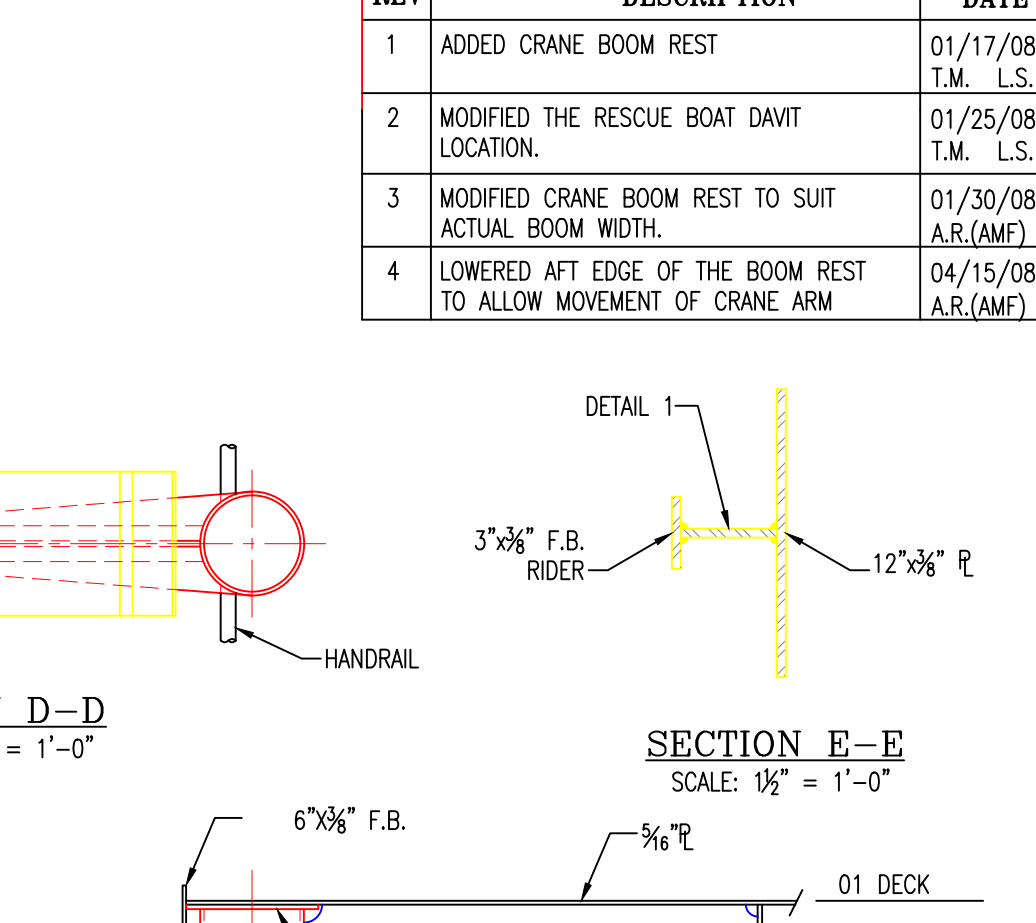
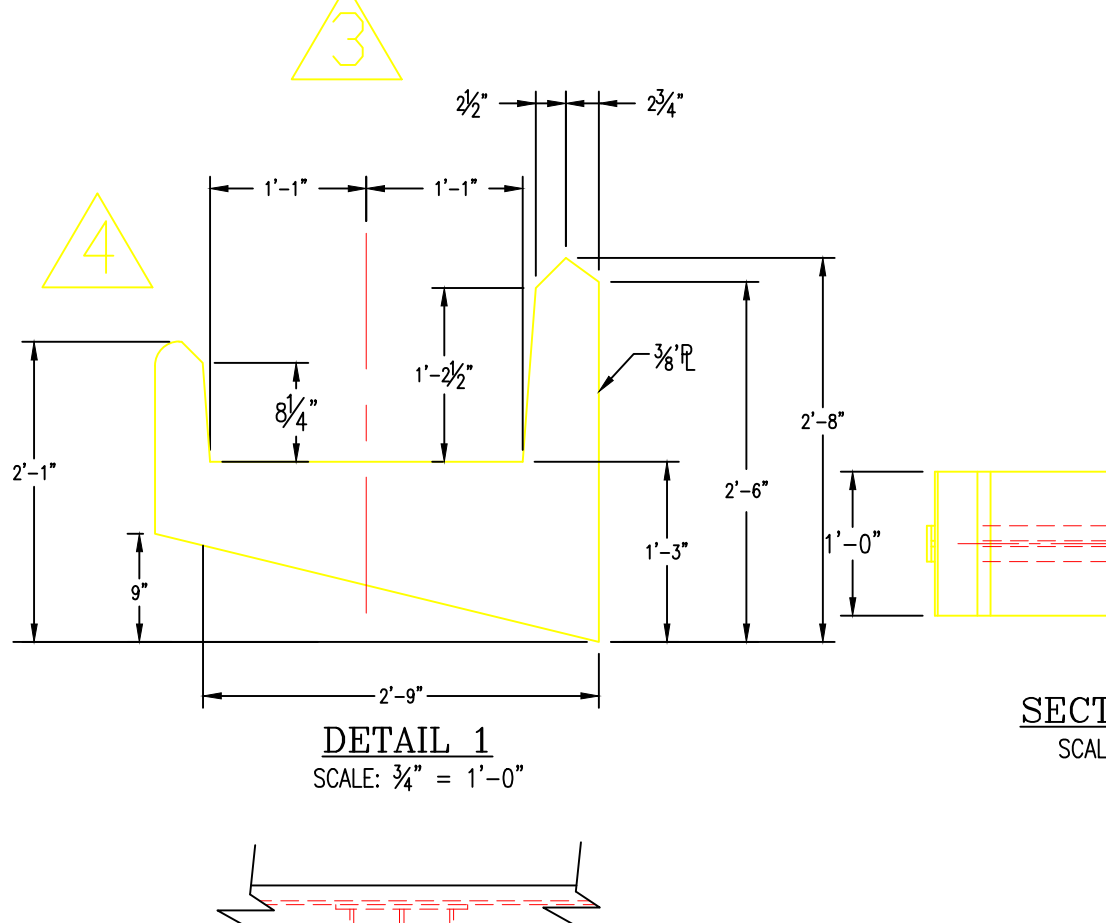
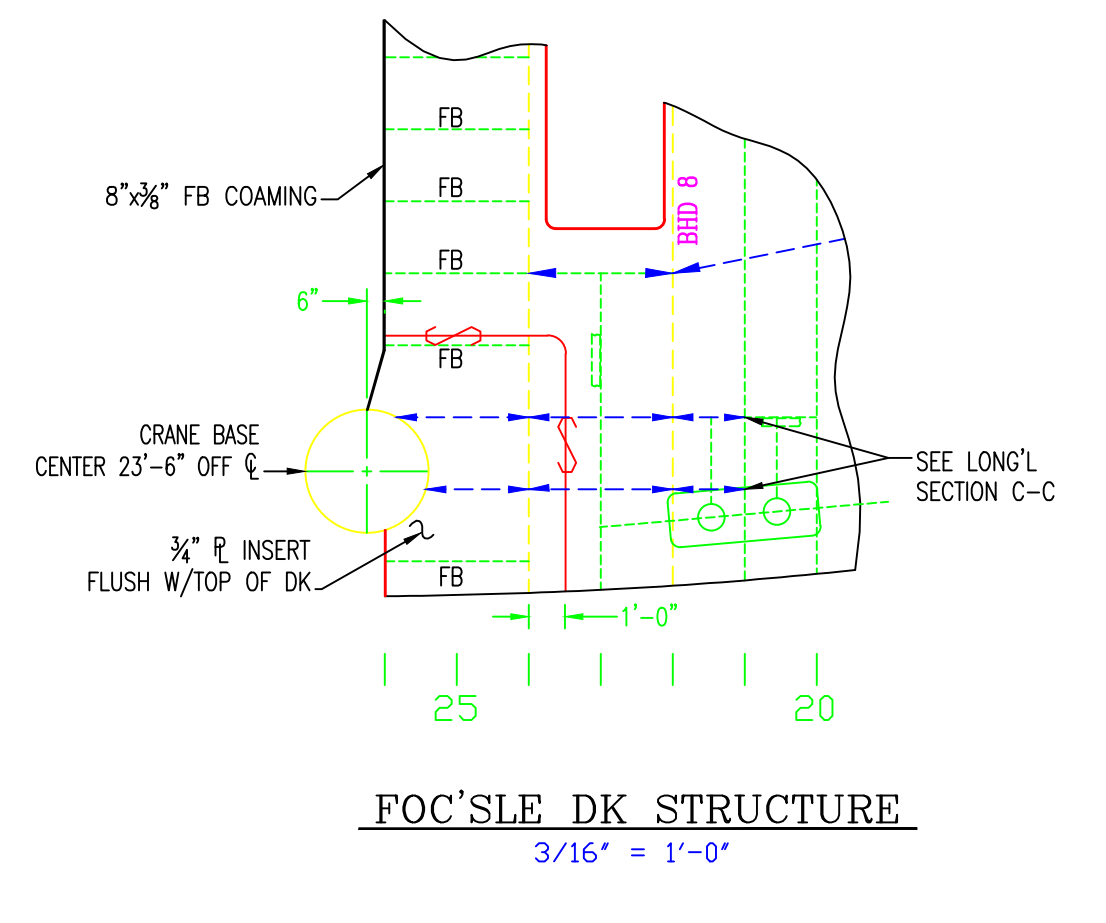
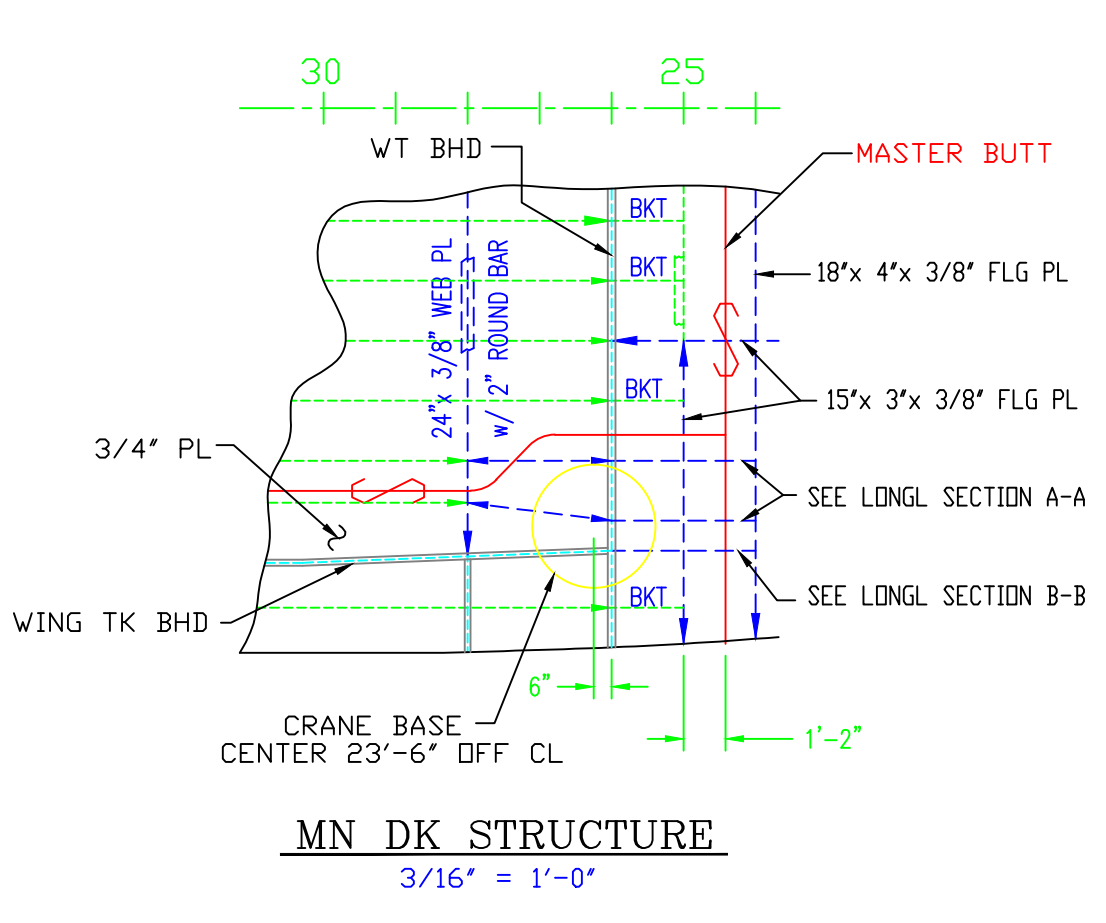
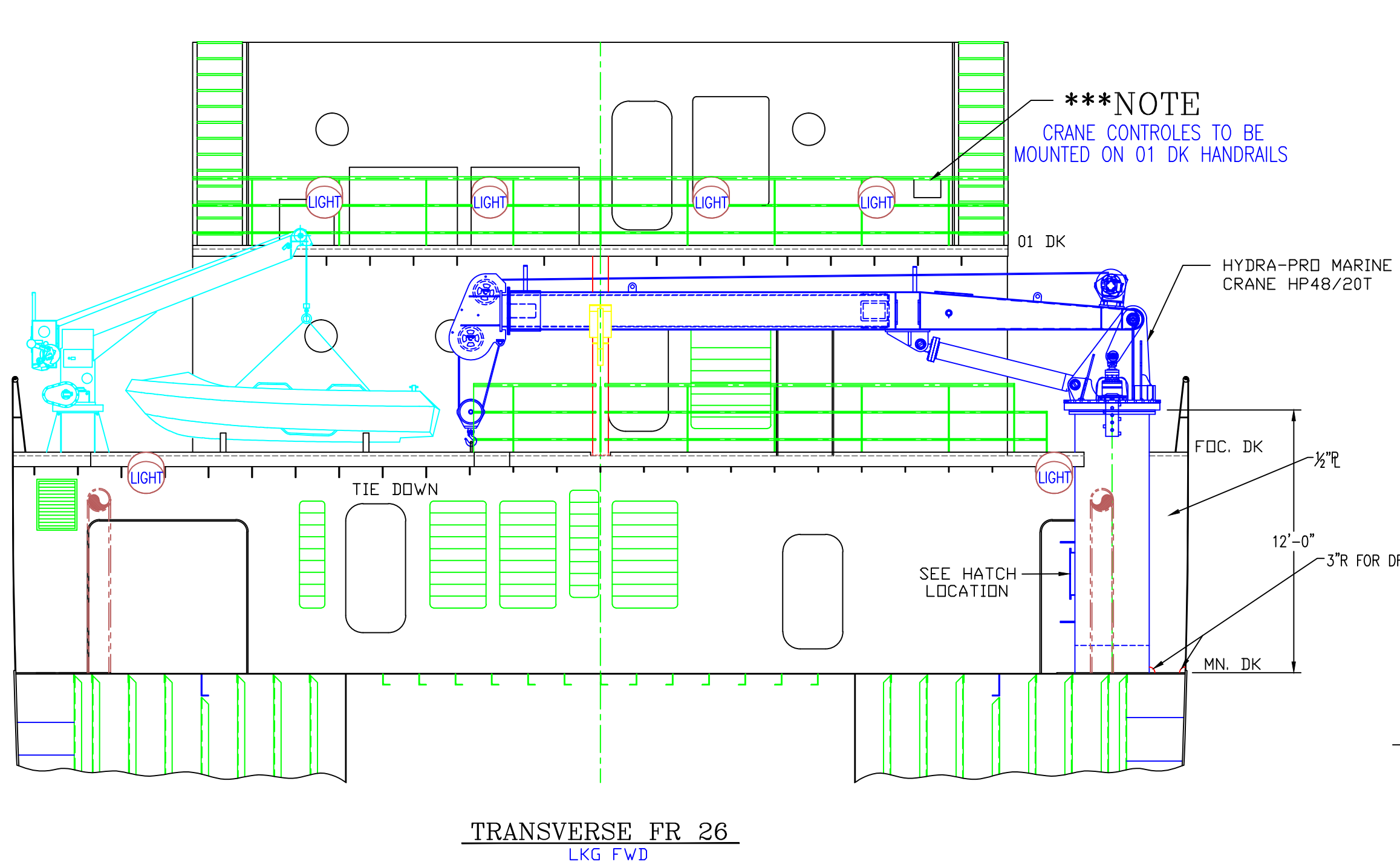
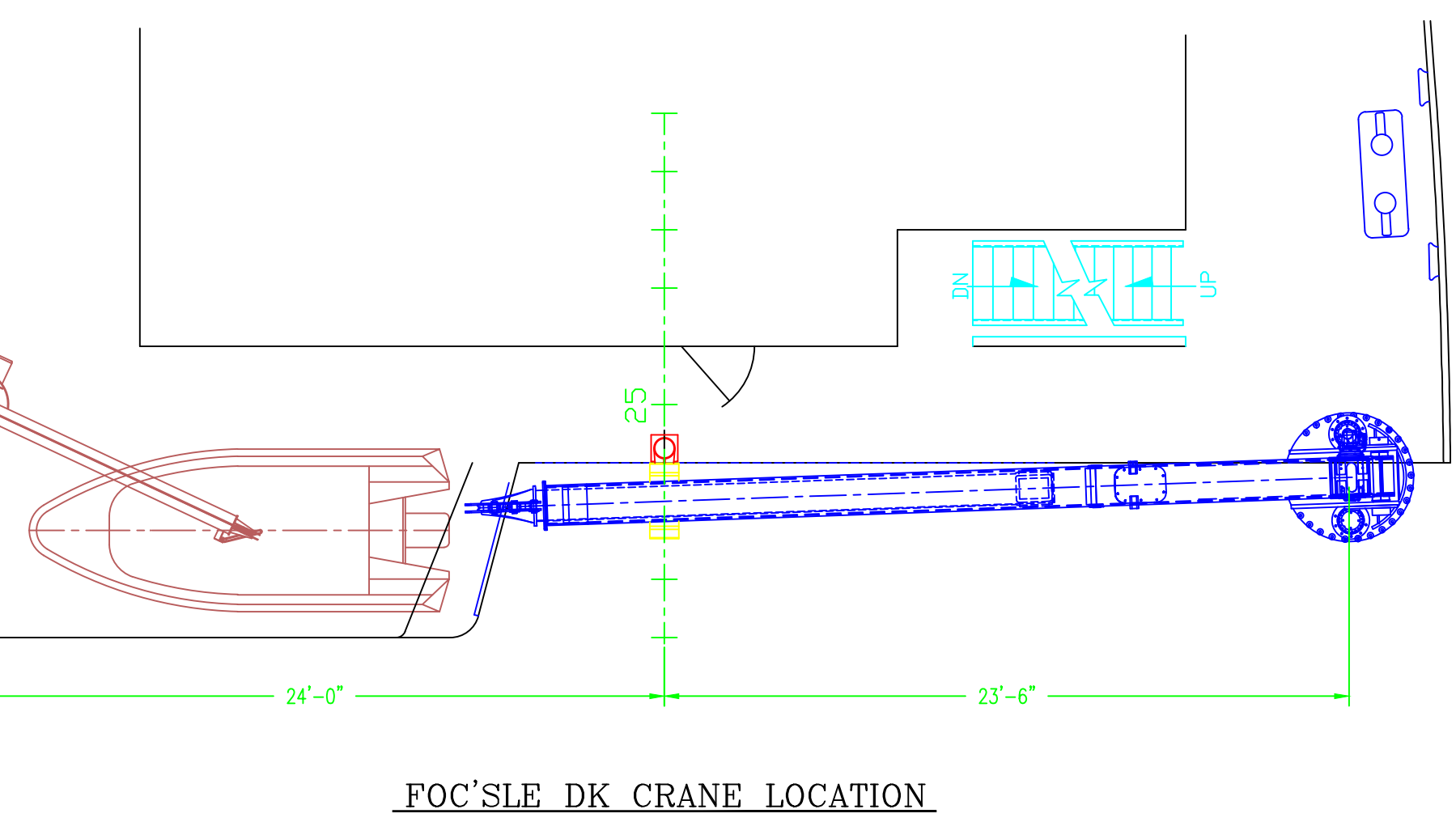
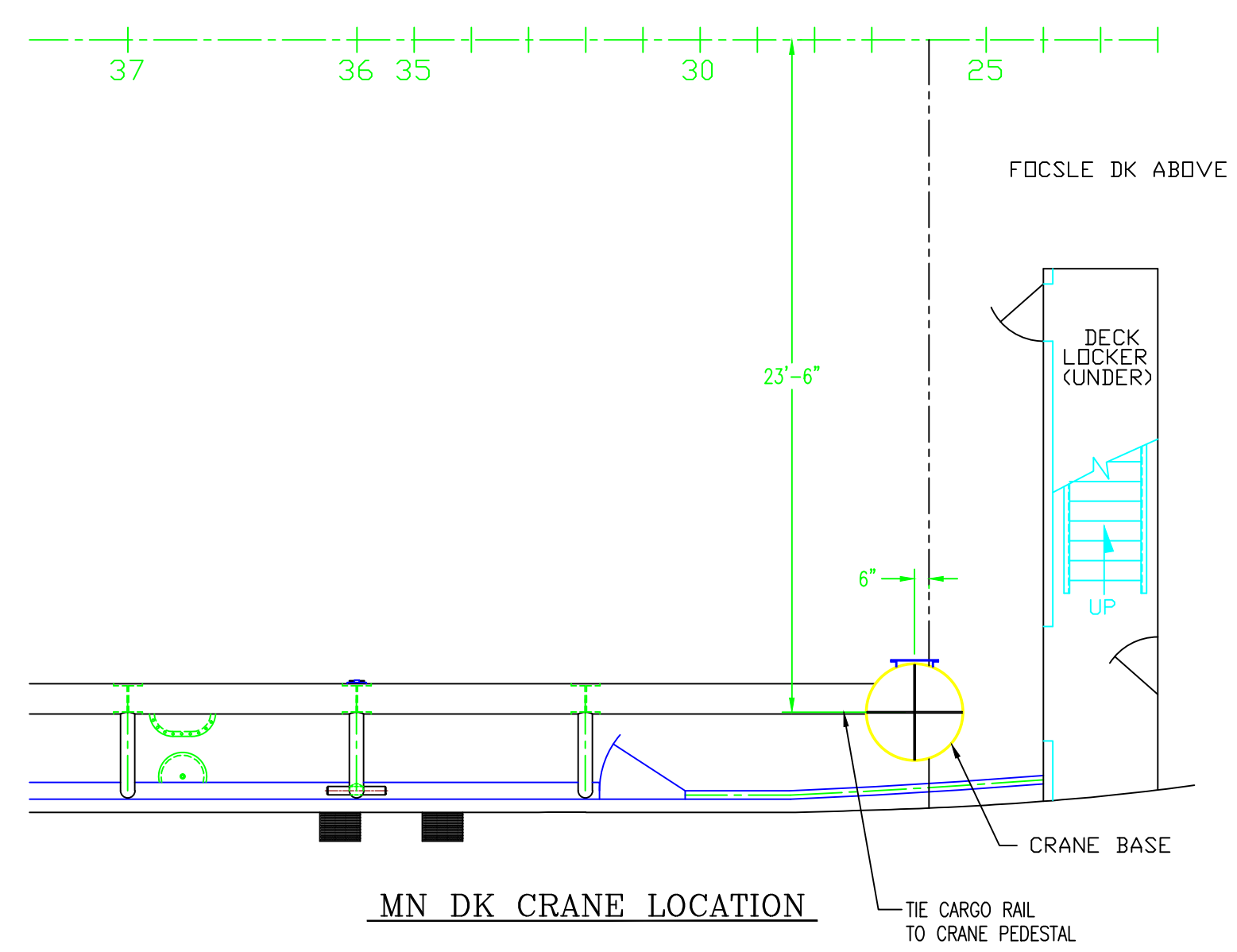
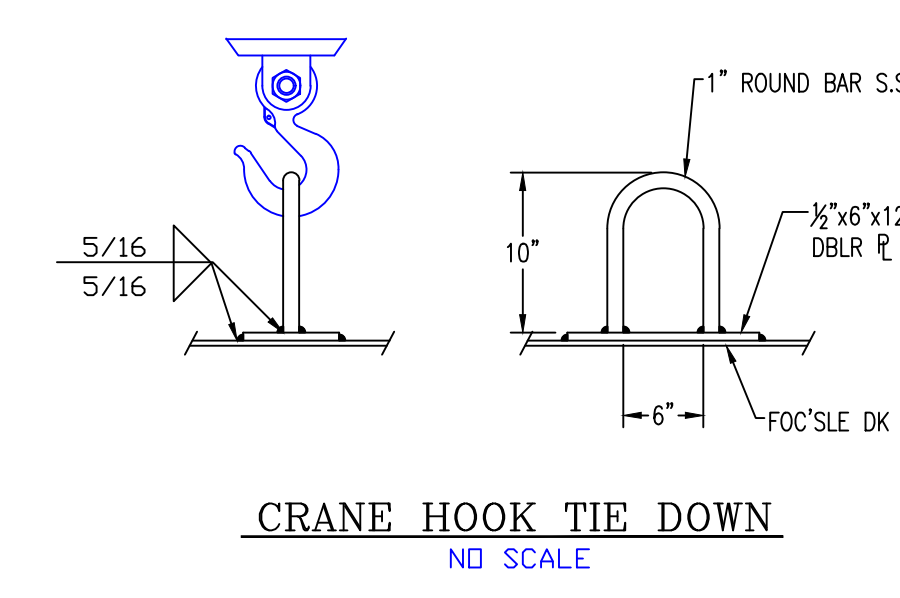
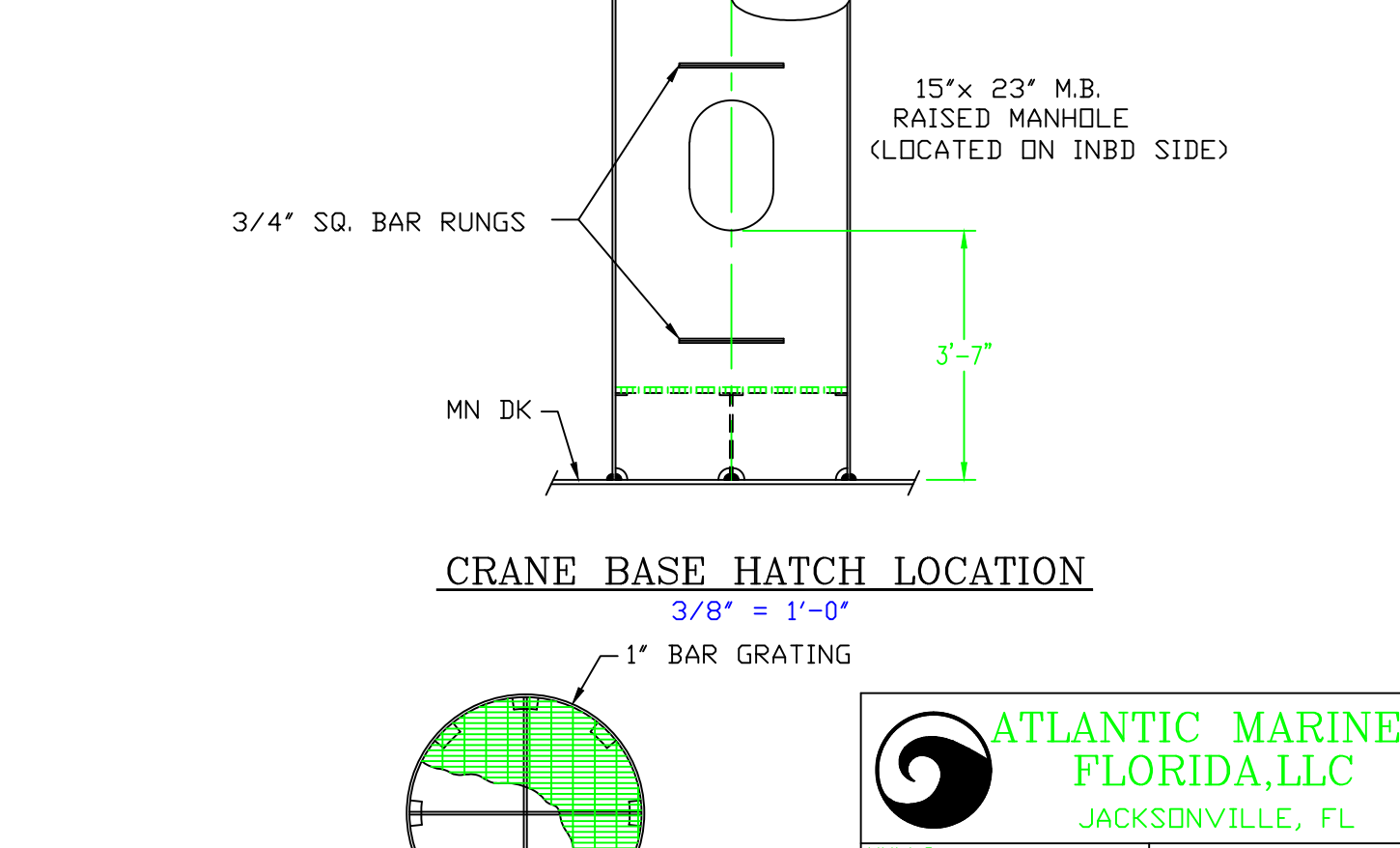
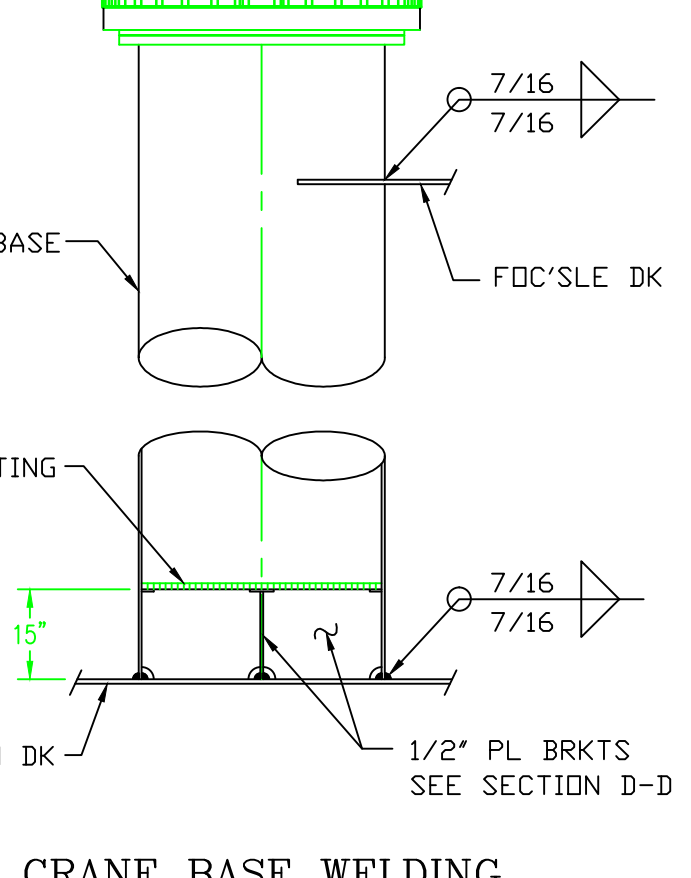
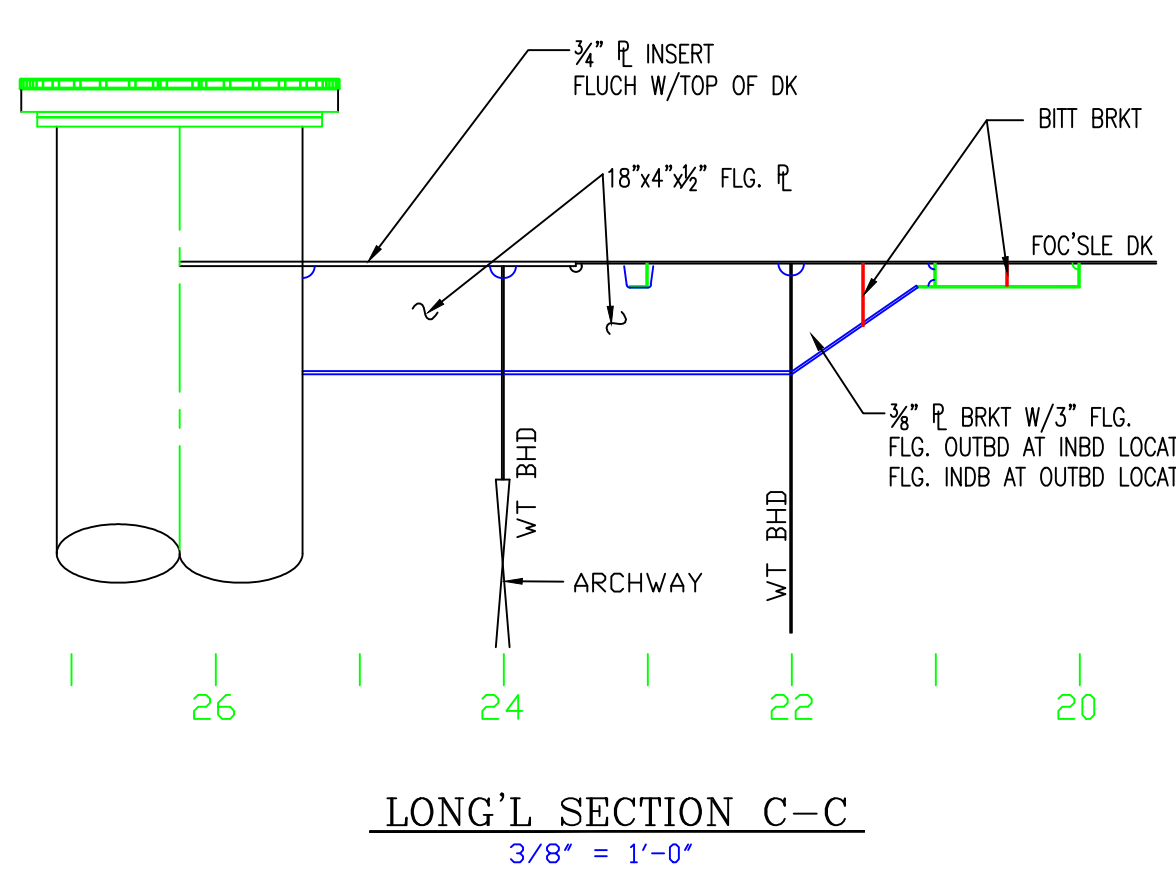


REVISIONS		
REV	DESCRIPTION	DATE
1	ADDED CRANE BOOM REST	01/17/08 T.M. L.S.
2	MODIFIED THE RESCUE BOAT DAVIT LOCATION.	01/25/08 T.M. L.S.
3	MODIFIED CRANE BOOM REST TO SUIT ACTUAL BOOM WIDTH.	01/30/08 A.R.(AMF)
4	LOWERED AFT EDGE OF THE BOOM REST TO ALLOW MOVEMENT OF CRANE ARM.	04/15/08 A.R.(AMF)



**\*\*\*NOTE**  
ALL CRANE SUPPORTS TO BE WELDED 1/4 DBL CONTINUOUS



- REFERENCES**
- OUTBOARD PROFILE & GENERAL ARRANGEMENT DWG. 1.001
  - MAIN DECK SCANTLINGS DWG. 2.201.
  - MAIN DECK SUPERSTRUCTURE DWG. 2.601
  - RESCUE BOAT DAVIT FOUNDATION DETAILS DWG. 3.503
  - HYDRA-PRO, INC. CRANE DWG. MB-05757

- GENERAL NOTES:**
- ALL WELDING TO BE AS PER ABS RULES AND TO DEVELOP FULL STRENGTH OF STRUCTURAL MATERIAL, TO SURVEYORS SATISFACTION.
  - ALL MATERIALS TO BE MILD STEEL ABS, GRADE A WITH A MINIMUM YIELD STRESS OF 34 KIPS PER SQUARE INCH EXCEPT FOR SHEER STRAKE IN MIDBODY, TO SURVEYORS SATISFACTION.
  - FIT-UP AND WELD TO THE SATISFACTION OF THE ATTENDING SURVEYOR.
  - ALL NEW STRUCTURE TO BE PREPARED AND COATED ACCORDING TO SPECIFICATIONS, SECTION 13.
  - SHIPS STRUCTURAL SUPPORT DESIGNED FOR CRANE OVERTURNING MOMENT OF 450,000 lb/ft AND AXIAL FORCE OF 57,000 lbs.

**SECTION D-D**  
3/8" = 1'-0"

3/8" x 2" FB CLIPS  
4" LG (8 PLCS)

**ATLANTIC MARINE FLORIDA, LLC**  
JACKSONVILLE, FL

HULLS	4247-4250	AMI JOB	94247
AMI CHK		APPRV FOR RELEASE	
AMI DWG	94247-C05-302	REV	D
SHEET 1 OF 1			

**HORNBECK OFFSHORE SERVICES**

DRAWN BY:	240'-0" X 54'-0" 19'-0"		
CH'KD. BY:	CRANE LAYOUT & DETAILS		
APP'D. BY:	SCALE: 3/16" = 1'-0"	DATE: 4-2-07	REV.
PROJECT #	DRAWING #	SHEET	REV.
1362	3.502	1 OF 0	4