

PRINCIPAL PARTICULARS

LOA	240'-9" (73.4m)
BREADTH	52'-6" (16.0m)
DEPTH	22' 11-1/2" (7.0m)
DRAFT (LOADLINE)	19'-3" (5.87m)
CLEAR DECK CARGO AREA	168' X 44' (7,392 ft <sup>2</sup> ) / 51.2m X 13.4m (686.7 m <sup>2</sup> )
CARGO DECK RATING	1,024lb/ft <sup>2</sup> (5 MT/m <sup>2</sup> )
MAIN PROPULSION	(2) X BERGEN C25:33L8PCD 6,866 BHP TOTAL
BOW THRUSTER	(2) X ROLLS ROYCE CPP TUNNEL 1,582 HP TOTAL
STERN THRUSTER	(2) X ROLLS ROYCE CPP TUNNEL 1,582 HP TOTAL
SHIPS SERVICE DIESEL GENERATOR	(2) X SCANIA 520 KW TOTAL
SHAFT GENERATOR FOR ELECTRIC THRUSTERS	(2) X MARELLI MOTOR 2,880 KW TOTAL

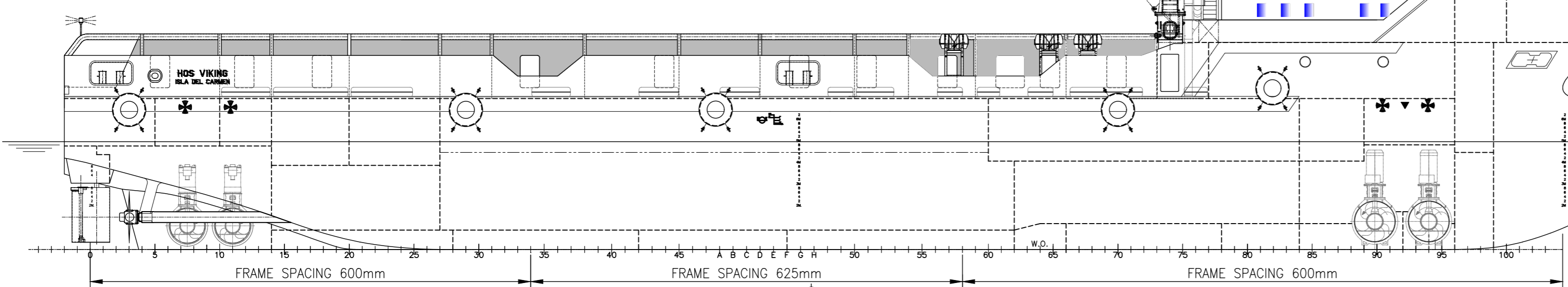
REGULATORY

OCEANS SOLAS  
 LOADLINE, OSR-S1, ABS, A1, AMS, FFV-1, DPS-2, ACCU, OSV, ENVIRO, R1+

ACCOMMODATIONS

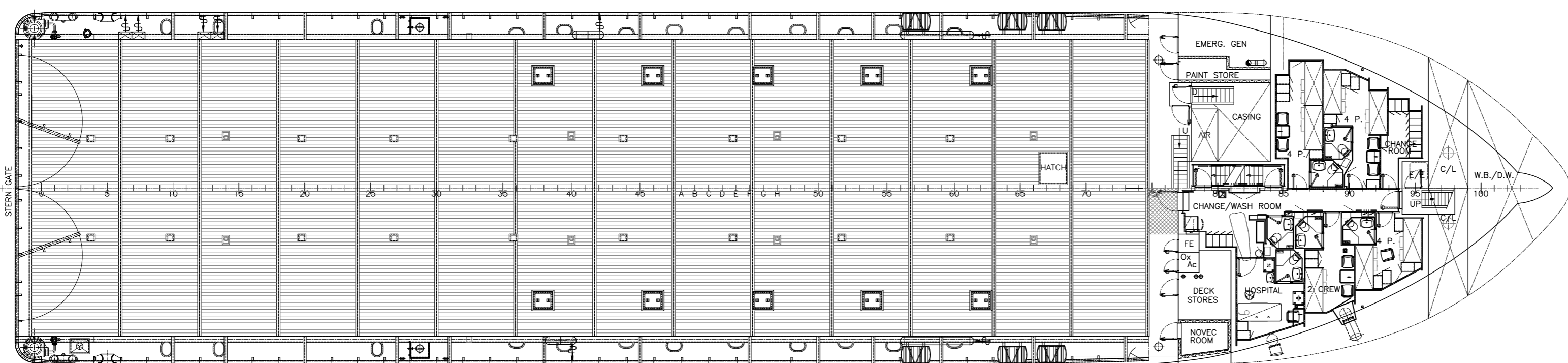
1P CREW STATEROOMS	4
2P CREW STATEROOMS	7
4P CREW STATEROOMS	3
TOTAL BERTHING:	30

REVISIONS				
REV	ZONE	DESCRIPTION	DATE	BY
0	ALL	DERIVED FROM AND SUPERCEDES SAS 126.101.001E GENERAL ARRANGEMENT. CONVERTED TO HOS FORMAT.	03/28/22	SMM

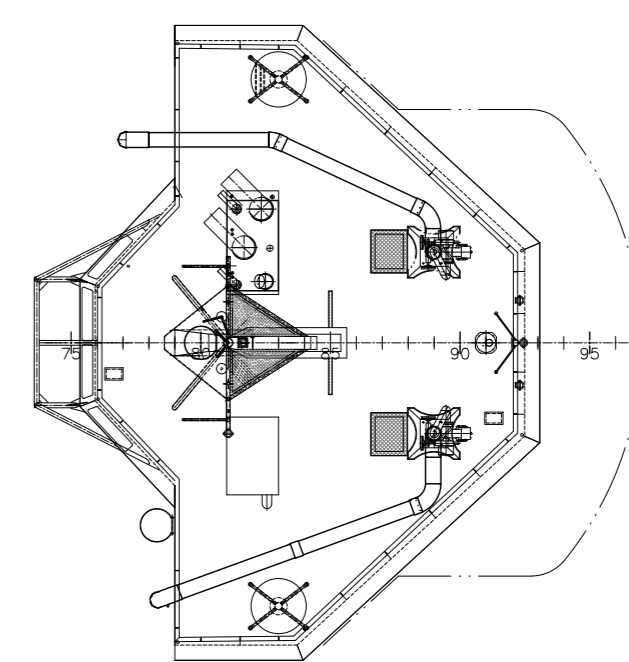


PROFILE VIEW

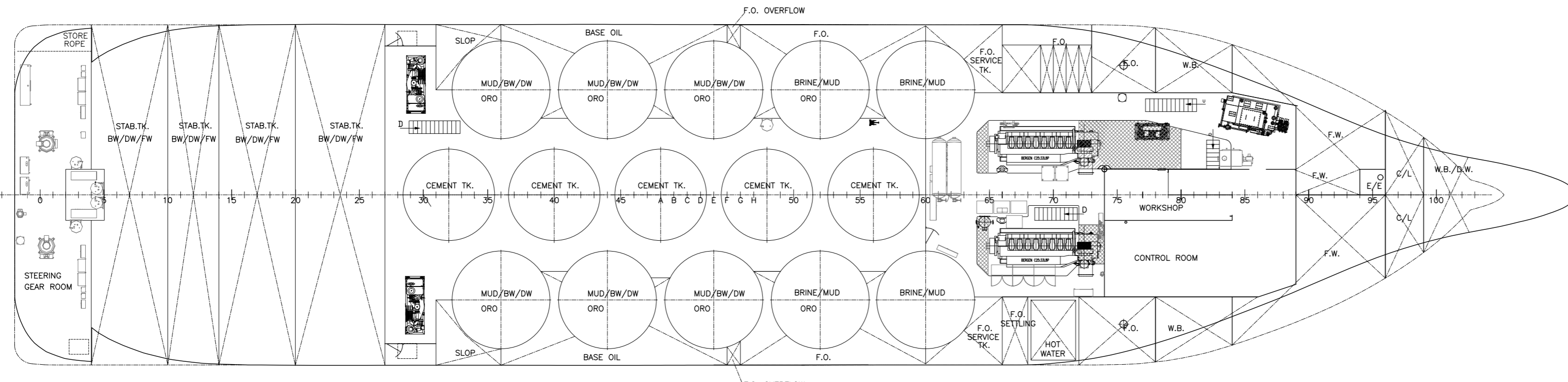
- WHEELHOUSE TOP - DK 7  
66'-7-1/4" [20.3m] ABL
- BRIDGE DECK - DK 6  
56'-3" [17.15m] ABL
- B-DECK - DK 5  
47'-9" [14.6m] ABL
- A-DECK - DK 4  
39'-8-1/4" [12.1m] ABL
- FOCSLE DECK - DK 3  
31'-6" [9.6m] ABL
- MAIN DECK - DK 2  
22'-11-1/2" [7.0m] ABL
- TWEEN DECK - DK 1  
13'-5-1/2" [4.1m] ABL
- TANK TOP - DK 0  
3'-11-1/4" [1.2m] ABL



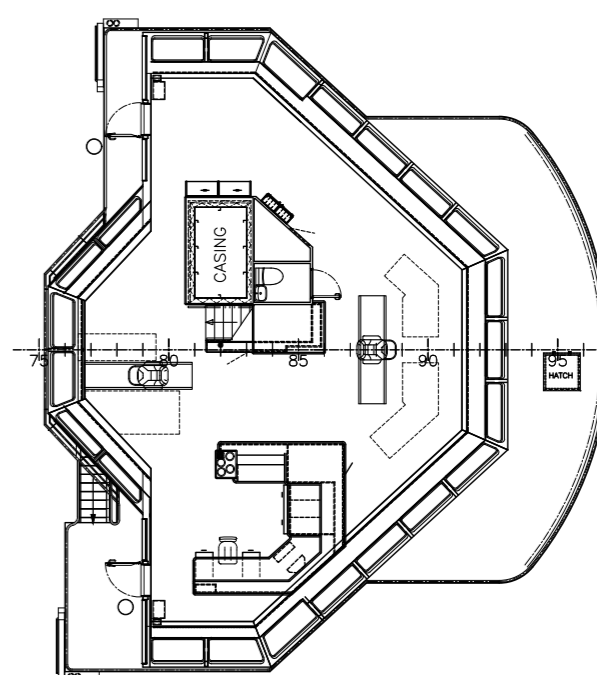
MAIN DECK - DK 2



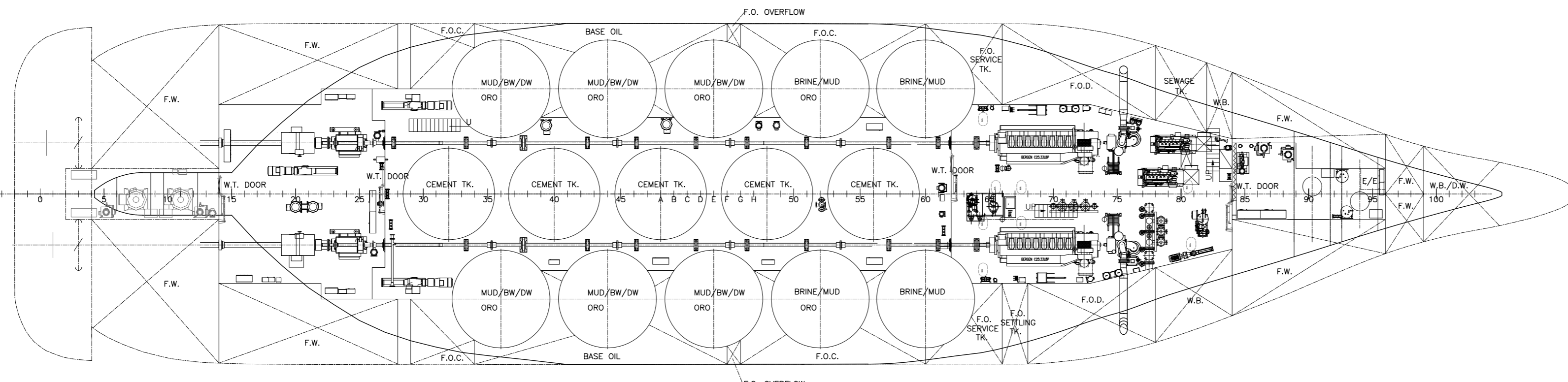
WHEELHOUSE TOP - DK 7



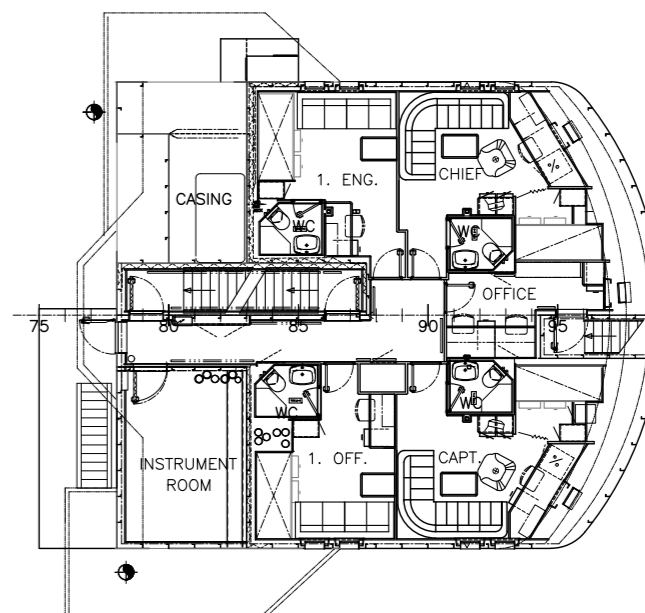
TWEEN DECK - DK 1



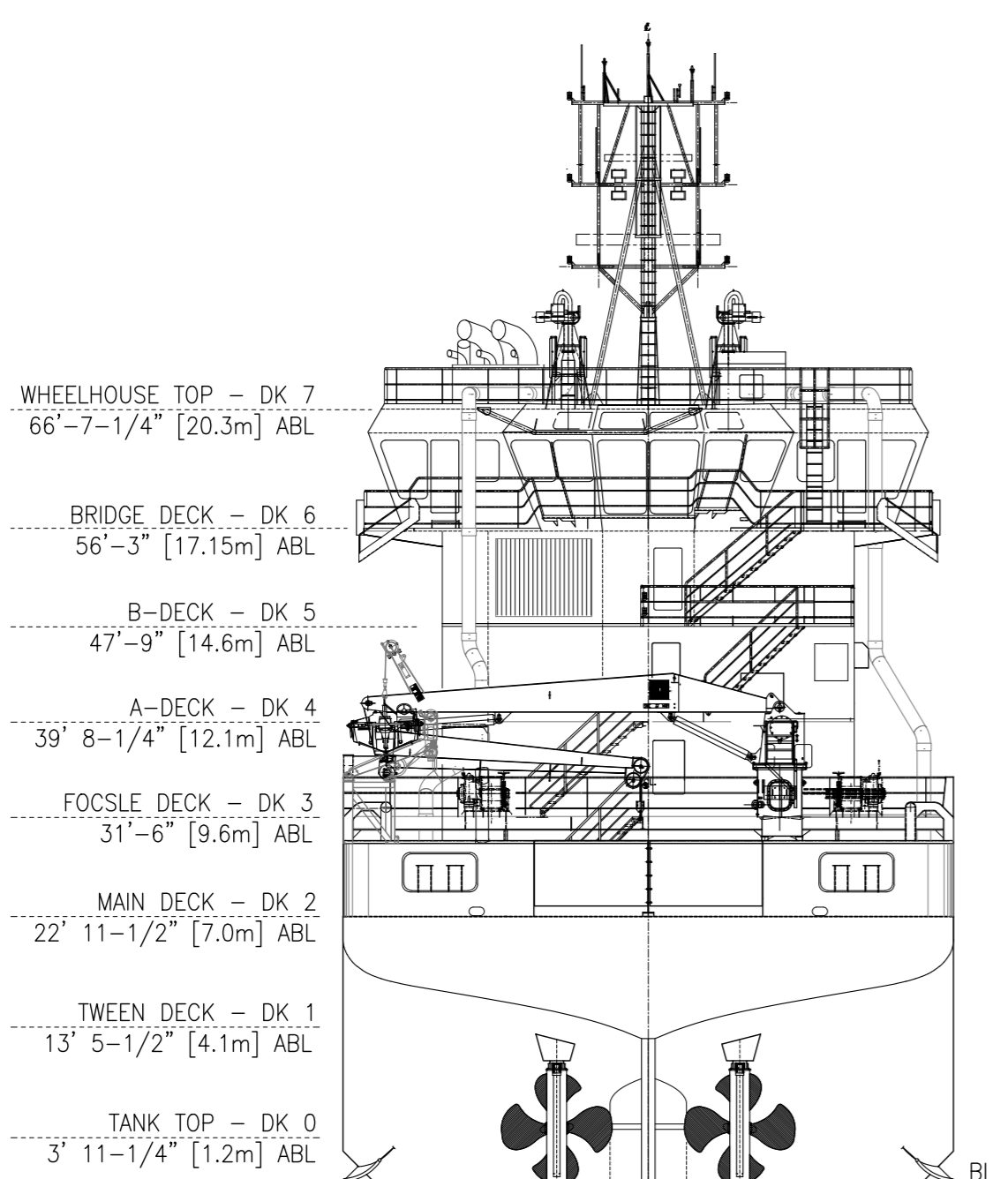
BRIDGE DECK - DK 6



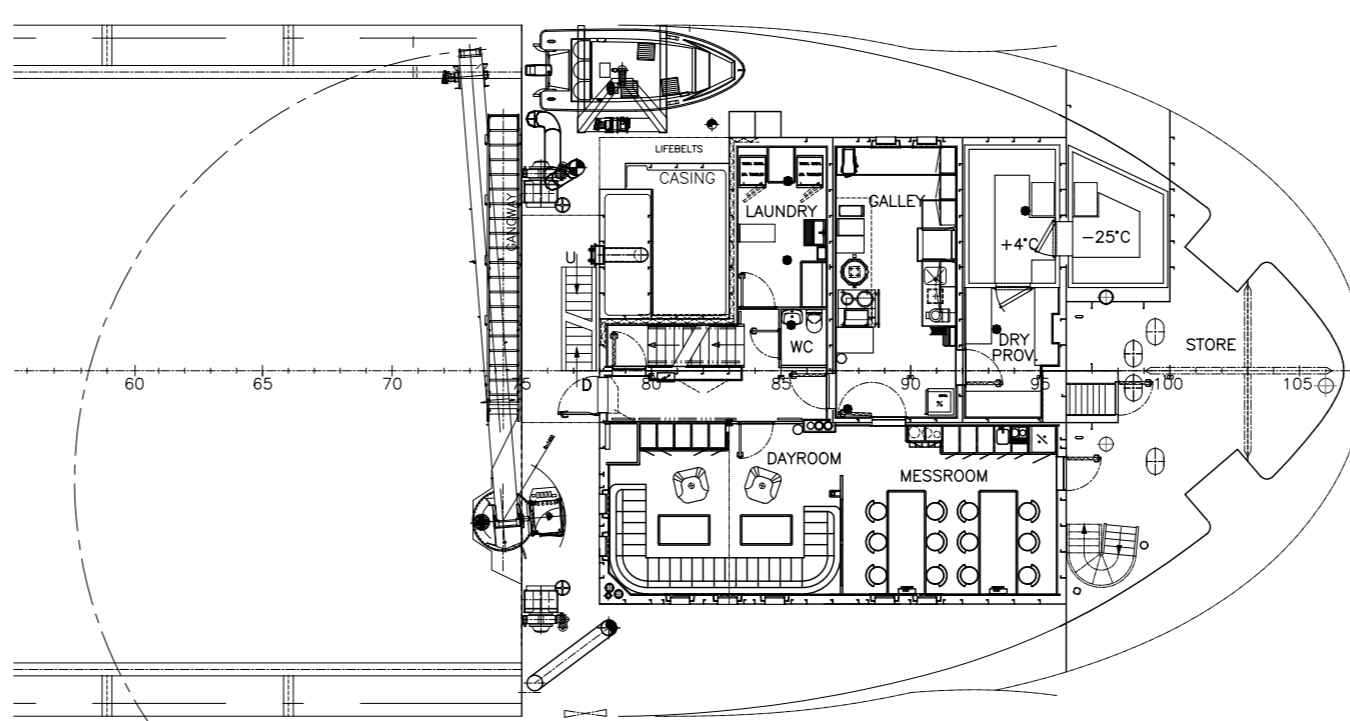
TANK TOP - DK 0



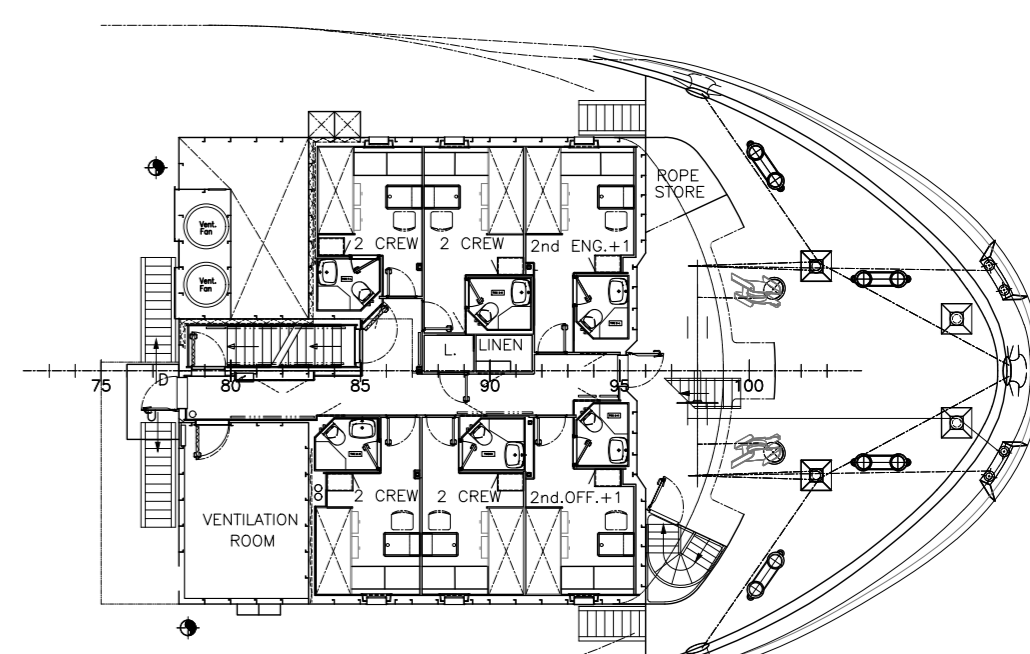
B-DECK - DK 5



STERN VIEW



FOCSLE DECK - DK 3



A-DECK - DK 4

- WHEELHOUSE TOP - DK 7  
66'-7-1/4" [20.3m] ABL
- BRIDGE DECK - DK 6  
56'-3" [17.15m] ABL
- B-DECK - DK 5  
47'-9" [14.6m] ABL
- A-DECK - DK 4  
39'-8-1/4" [12.1m] ABL
- FOCSLE DECK - DK 3  
31'-6" [9.6m] ABL
- MAIN DECK - DK 2  
22'-11-1/2" [7.0m] ABL
- TWEEN DECK - DK 1  
13'-5-1/2" [4.1m] ABL
- TANK TOP - DK 0  
3'-11-1/4" [1.2m] ABL

1. GENERAL ARRANGEMENT (RRM / SIMEK AS)	126.101.001.E			
NO.	TITLE	DRAWING NUMBER		
REFERENCES				
HOSMEX 240 / HOS VIKING				
<small>THIS DRAWING, DESIGN CONCEPT AND SPECIFICATIONS ARE THE PROPERTY OF HORNBECK OFFSHORE SERVICES AND ARE FURNISHED ON A CONFIDENTIAL BASIS WITH AN EXPRESSED UNDERSTANDING THAT THEY WILL NOT BE COPIED IN ANY MANNER USED FOR MANUFACTURE, SOLD, TRANSFERRED, NOR USED TO THE DETRIMENT OF SAID FIRM WITHOUT WRITTEN PERMISSION. HOS ©</small>				
HORNBECK OFFSHORE SERVICES				
DRAWN BY:	240'-9" x 52'-6" x 23'-0"			
S. MAUL				
CHECKED BY:	OUTBOARD PROFILE & GENERAL ARRANGEMENT			
M. STANSBURY				
APPROVED BY:	TASK No. 7582	DRAWING No. 1.001	SCALE: 1:175	REV. 0
J. GUIDRY	HULL No. 126	SY: SAS	DATE: 03/23/22	SHEET 1 OF 1