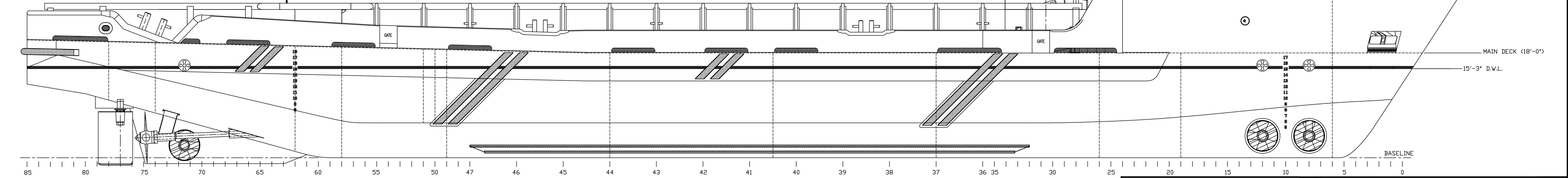
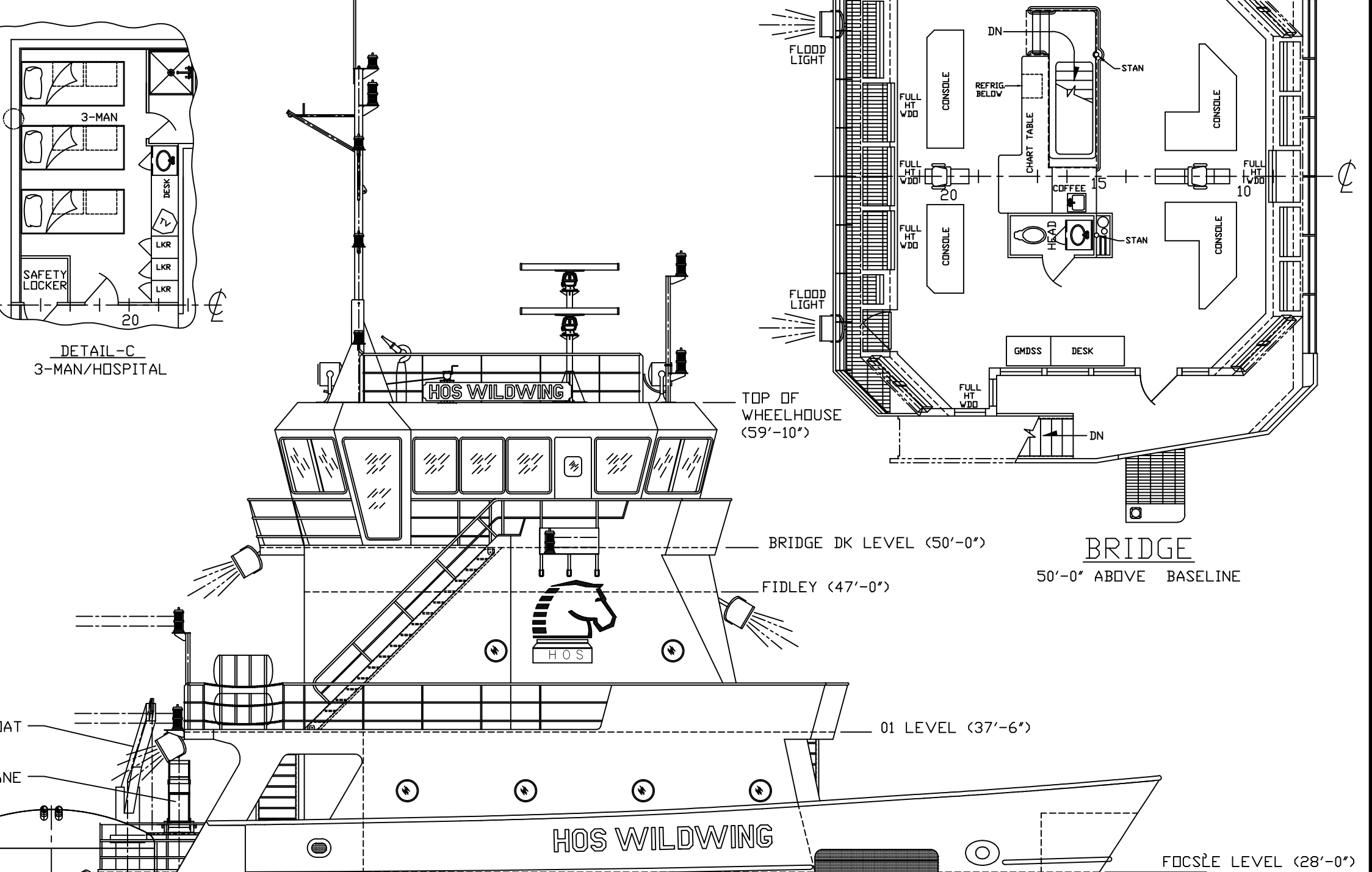
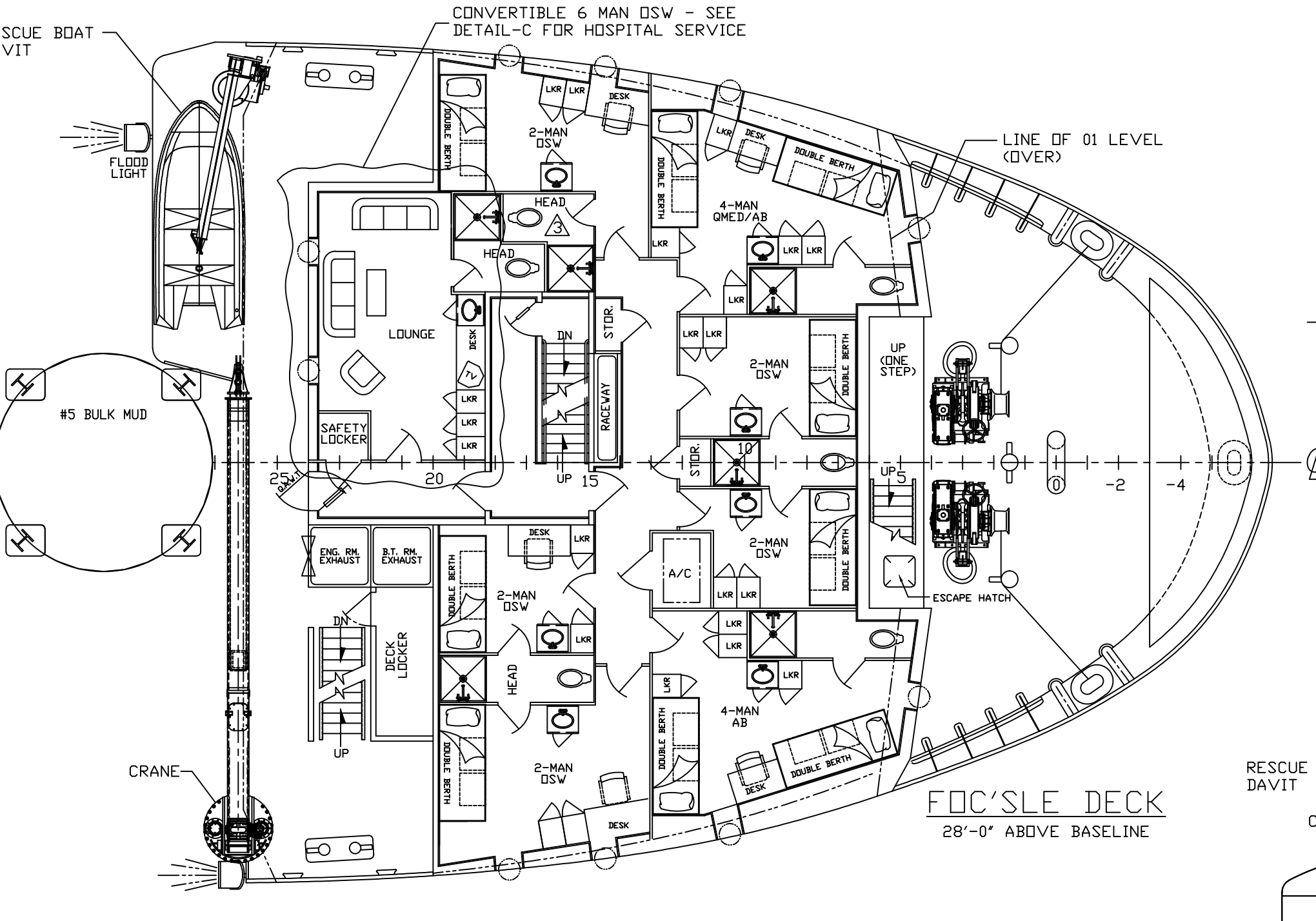
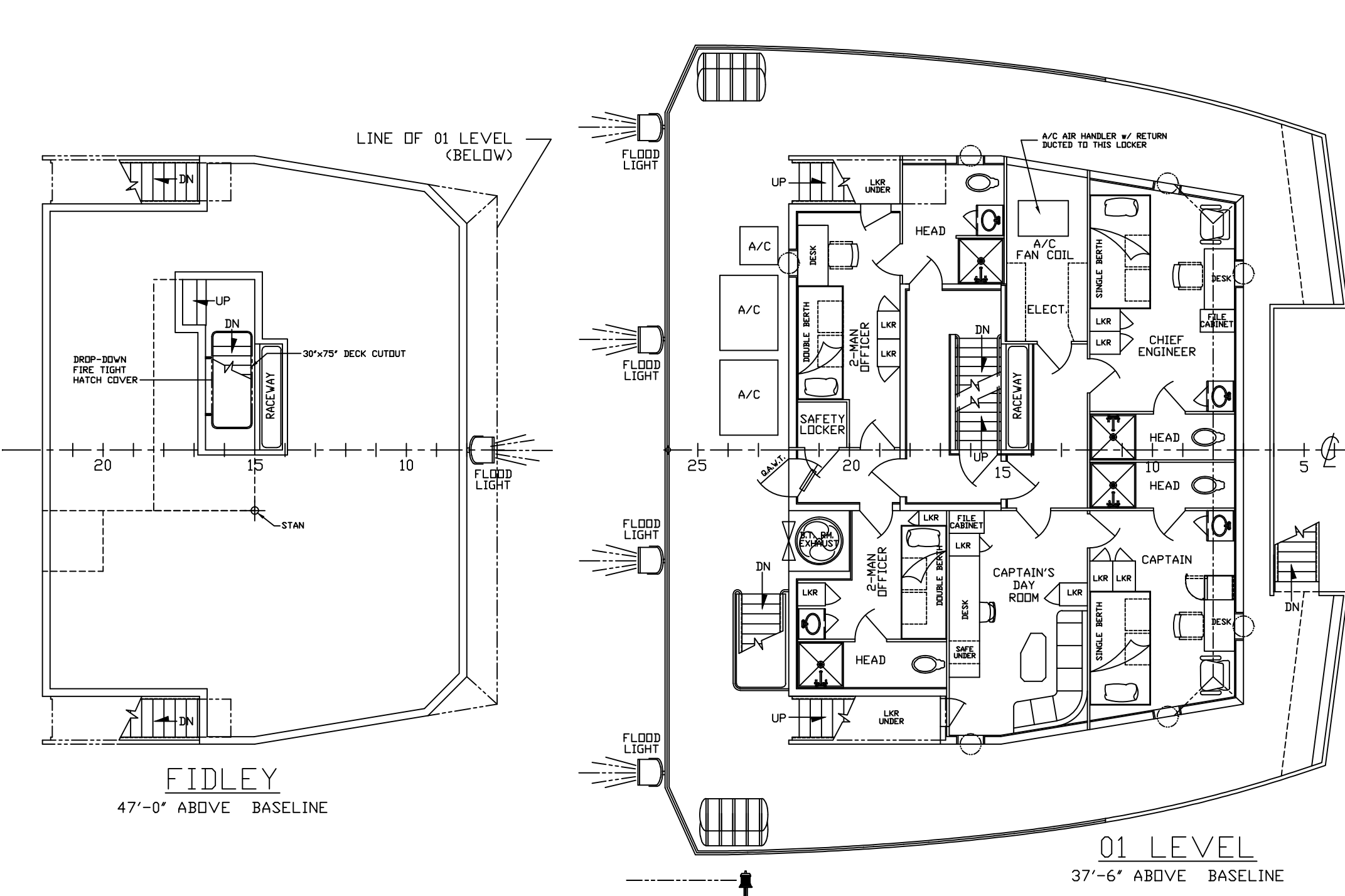


REV	DESCRIPTION	DATE
1	REVISED LINES & BULBOUS BOW BY LEEVAC	2/16/07
2	REVISED CRANE & RESCUE BOAT BY LEEVAC	2/22/07
3	REVISED FOC'SLE DECK LAYOUT AS PER OWNER	5/28/07
4	REVISED MAST & SIDE LIGHTS AS PER OWNER	8/10/07
5	REVISED AS PER AS-BUILTS	10/22/07



PROFILE

REV	DESCRIPTION	DATE
6	REVISED CONSOLES IN PILOT HOUSE	12/11/07
7	REMOVED BULBOUS BOW (NOT LVI 346)	5/7/09
8	ADDED #5 BULK MUD TANK ON MN DK. ADD LIQUID MUD AGITATOR OPENINGS ON MN. DK.	03/23/11
9	ABS COMMENTS/LOCATION DECK BOARD REMOVAL	05/18/11
10	ADDED VESSEL NAME TO PROFILE	08/22/11
11	REPLACED HULL NUMBERS 346, 351-353 WITH VESSEL NAME (HOS WILDWING).	8/25/10

THIS DRAWING, DESIGN CONCEPT AND SPECIFICATIONS ARE THE PROPERTY OF HORNBECK OFFSHORE SERVICES AND ARE FURNISHED ON A CONFIDENTIAL BASIS WITH AN EXPRESSED UNDERSTANDING THAT THEY WILL NOT BE COPIED IN ANY MANNER USED FOR MANUFACTURE, SOLD, TRANSFERRED, NOR USED TO THE DETRIMENT OF SAID FIRM WITHOUT WRITTEN PERMISSION.

HORNBECK OFFSHORE SERVICES

DRAWN BY: W. THOMAS
 CH'KD. BY: L. BURCHFIELD
 APP'D. BY: W. KREWESKY
 TASK: # 4981

250'-0" X 54'-0" X 19'-0" OSV

OUTBOARD PROFILE & GENERAL ARRANGEMENTS

SCALE: 1/8" = 1'-0"
 DRAWING # 1.001

DATE: 8/24/06
 VSL NAME: HOS WILDWING
 SHEET 1 OF 1

REV. 11